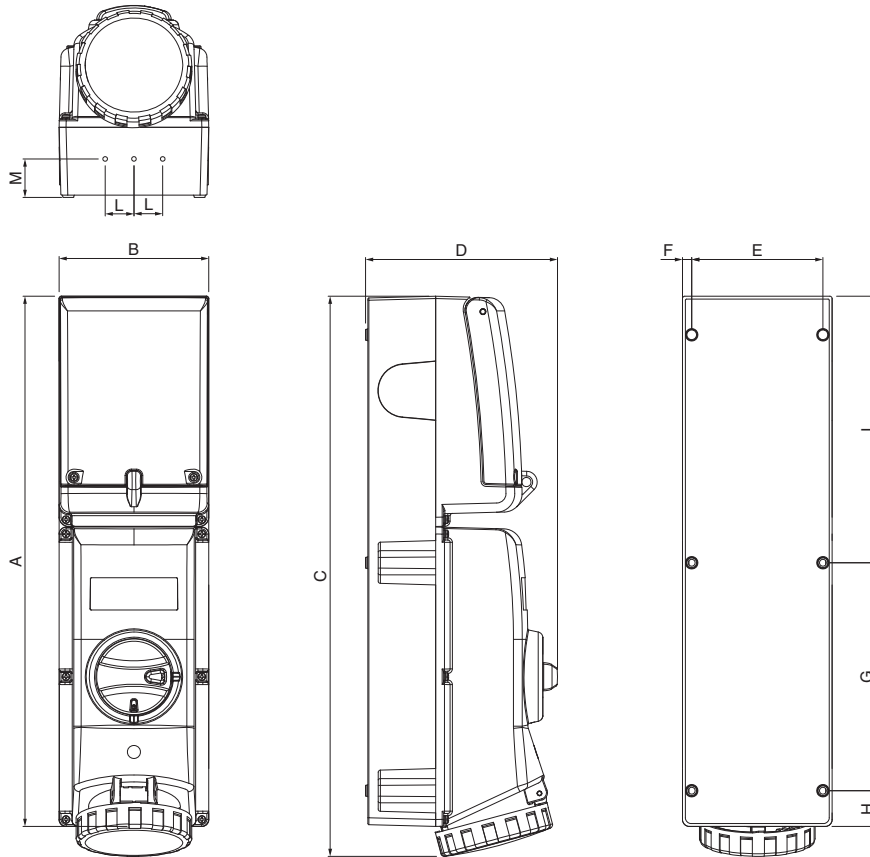


ADVANCE-GRP System

A

■ **DIMENSIONS - BASES ADVANCE-GRP 20A-30A-60A**



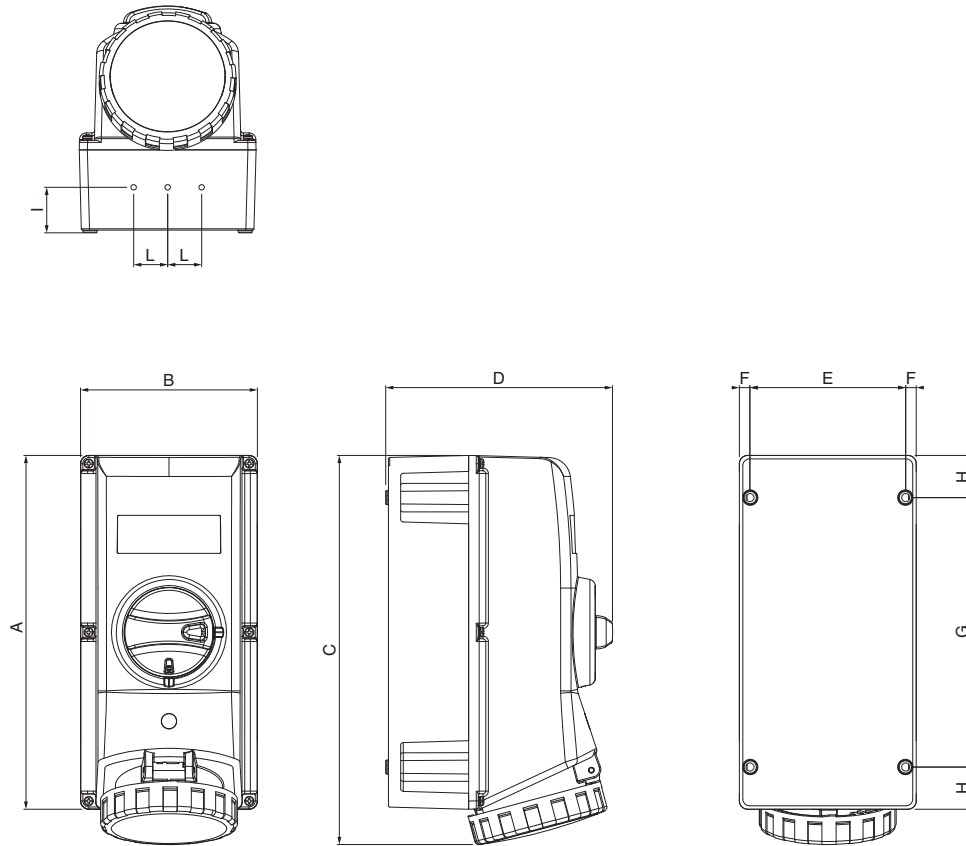
VERSION	Amp.	A	B	C	D	E	F	G	H	I	L	M
2P+E	20A	460.5	130	480.5	167	114	8	198	31	231.5	25	33.5
3P+E	20A	460.5	130	482.5	167	114	8	198	31	231.5	25	33.5
3P+N+E	20A	460.5	130	482.5	167	114	8	198	31	231.5	25	33.5
2/3P+E	30A	460.5	130	485.5	167	114	8	198	31	231.5	25	33.5
3P+N+E	30A	460.5	130	486.5	167	114	8	198	31	231.5	25	33.5
2P+E	60A	580.5	170	621.5	206	150	10	310	35	235.5	32.5	40
3P+E	60A	580.5	170	621.5	206	150	10	310	35	235.5	32.5	40
3P+N+E	60A	580.5	170	621.5	206	150	10	310	35	235.5	32.5	40

(Dimensions in mm)

ADVANCE-GRP System

■ **DIMENSIONS - SOCKET OUTLETS ADVANCE-GRP 20A-30A-60A**

A



VERSION	Amp.	A	B	C	D	E	F	G	H	I	L
2P+E	20A	260	130	280	167	114	8	198	31	33.5	25
3P+E	20A	260	130	282	167	114	8	198	31	33.5	25
3P+N+E	20A	260	130	282	167	114	8	198	31	33.5	25
2/3P+E	30A	260	130	285	167	114	8	198	31	33.5	25
3P+N+E	30A	260	130	286	167	114	8	198	31	33.5	25
2P+E	60A	380	170	420	206	150	10	310	35	40	32.5
3P+E	60A	380	170	420	206	150	10	310	35	40	32.5
3P+N+E	60A	380	170	420	206	150	10	310	35	40	32.5

(Dimensions in mm)