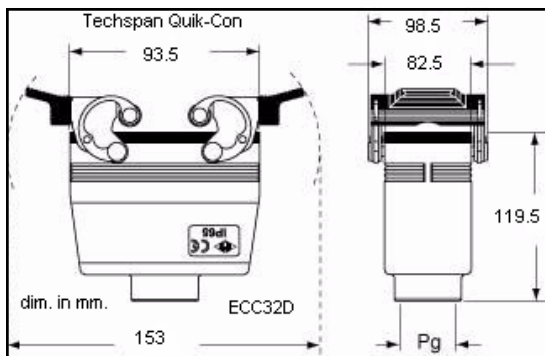
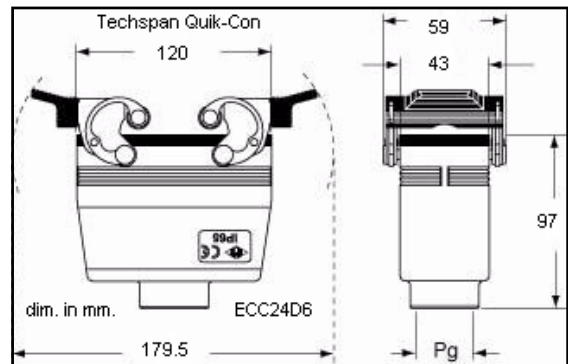
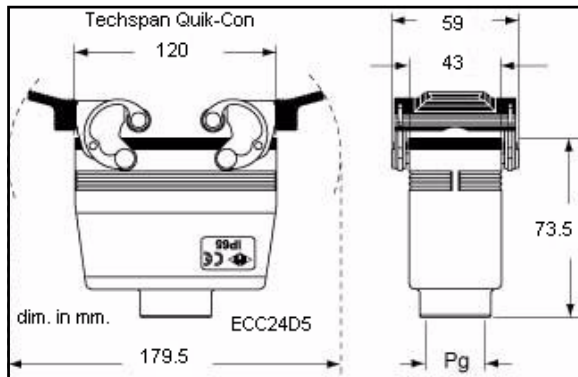
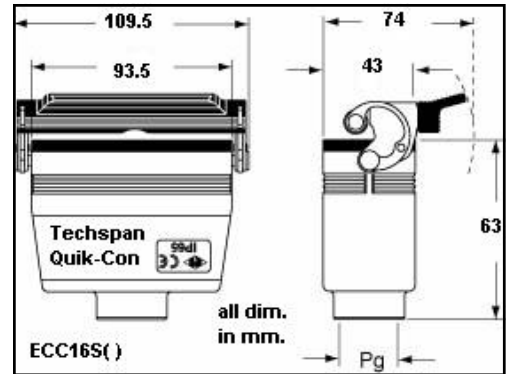
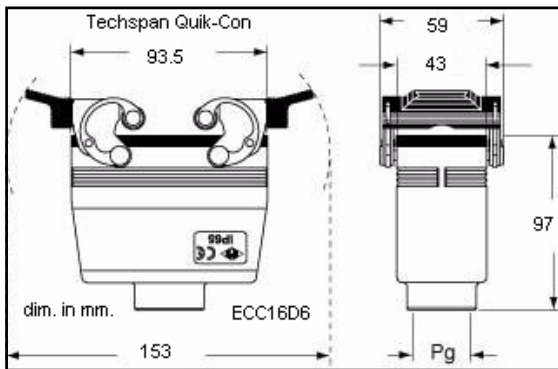
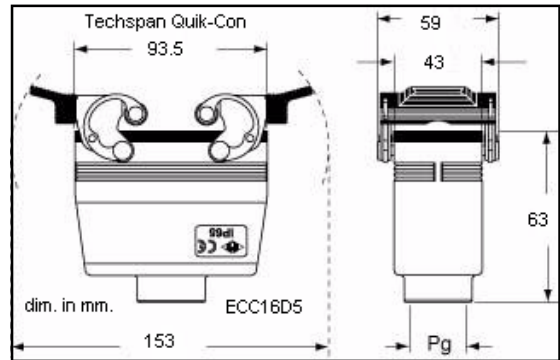
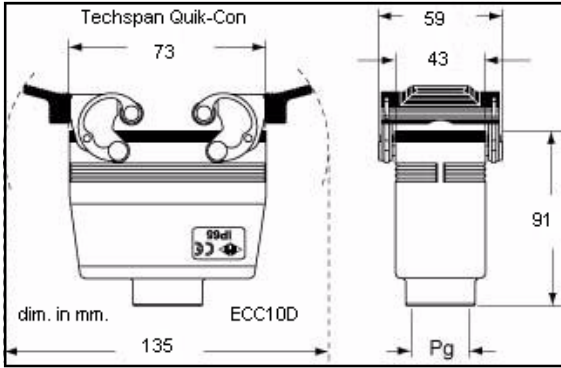
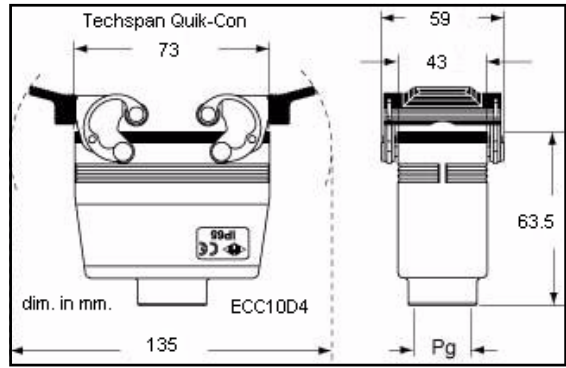
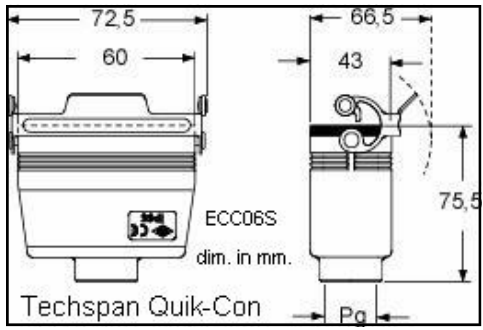


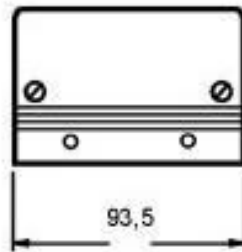
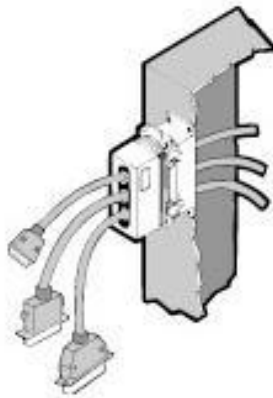
10A

P **S**

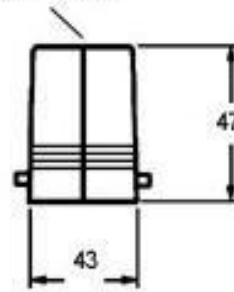
| Pin Socket | AWG | ø A (mm) |
|------------|---------|----------|
| 0.3 | 26 - 22 | 0,9 |
| 0.5 | 20 | 1,1 |
| 0.7 | 18 | 1,3 |
| 1.0 | 18 | 1,45 |
| 1.5 | 16 | 1,8 |
| 2.5 | 14 | 2,2 |



Techspan Quik-Con

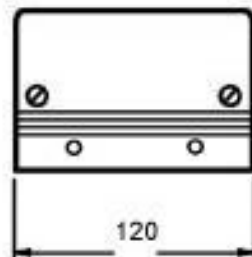
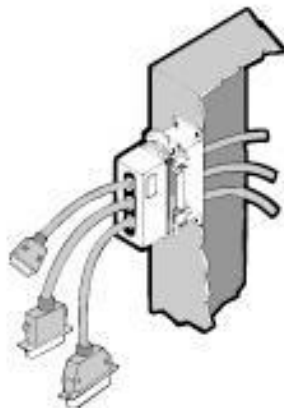


3 x Ø 5/13,5

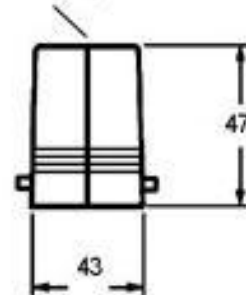


ECPP16D
dim in mm.

Techspan Quik-Con



4 x Ø 5/13,5



ECPP24D
dim. in mm.

