

Tractor/Utility Lamps – LED



What's New?

- ★ *Square Off-Road Lamp with Heated Lens* pg. 5
- ★ *Mini-Lumen* pg. 17
- ★ *Tractor/Utility Lamps for applications up to 110VDC* pg. 6
- ★ *16pc Tractor/Utility Lamp POP Display (Available August 2026)* pg. 18
- ★ *Vibration-damping Utility Lamps with Extra Heavy-Duty Brackets* pg. 7
- ★ *Handheld Utility Lamp* pg. 27
- ★ *Rectangular Off-Road Lamp with Curved Lens (120° Flood Beam)* pg. 8
- ★ *Deutsch Harnesses with LED Indicator* pg. 30

HEATED LENS



pg. 5



pg. 6



pg. 7



pg. 8



pg. 17



pg. 30



Most of our LED Tractor/Utility Lamps are protected against Radio Frequency Interference (RFI). Our larger sized lamps are made with EMC Technology (Electro Magnetic Compatibility), meaning full protection against RFI. If you require a lamp that is protected against RFI, look for this symbol!



Understanding Effective Lumens & Raw Lumens in Vehicular Lighting

In the context of vehicular lighting, such as Headlights, Utility lights or Auxiliary lights, the terms “Effective lumens” and “Raw lumens” are used similarly to other lighting devices but with some additional considerations specific to automotive applications. We show Raw Lumens in our packaging and literature.

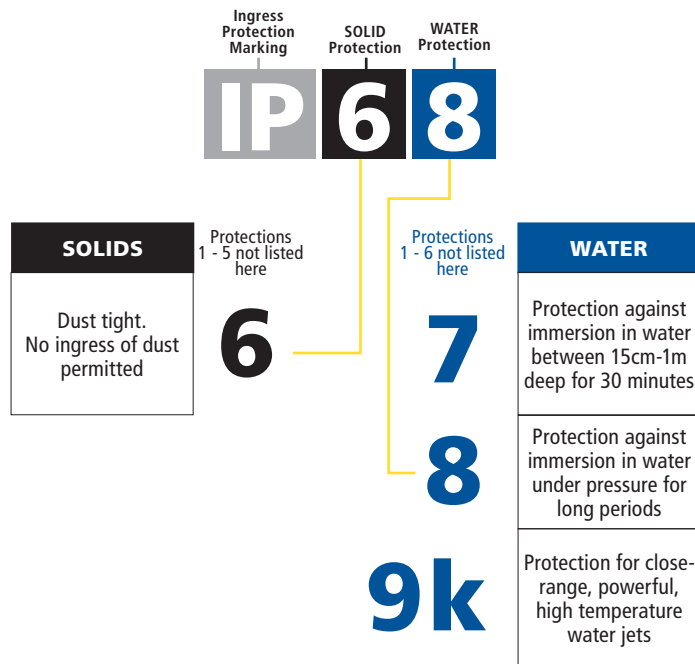
Effective Lumens consider various factors that affect the actual brightness or performance of the lighting system in real-world conditions. In vehicular lighting, effective lumens consider factors such as the efficiency of the optics (such as lenses and reflectors), the effectiveness of the light distribution pattern, and any losses due to dust, moisture, or lens coatings.

Raw Lumens in vehicular lighting refer to the total amount of light emitted by the light source, such as an LED or a halogen bulb, without considering losses or inefficiencies in the lighting system. This value represents the maximum potential brightness of the light source itself, measured directly from the bulb or LED chip. Raw Lumens provide a baseline measure of the light output capability of the bulb or LED chip itself. This can be helpful for comparing the inherent brightness potential of different light sources.



Ingress Protection (IP) Rating

IP rating are represented by combining the first and second digits of the following columns. The first digit is the degree of protection against solid objects. The second digit is the degree of protection against water. Examples shown below are the common IP ratings for our lamps.



Lighting & Safety Equipment



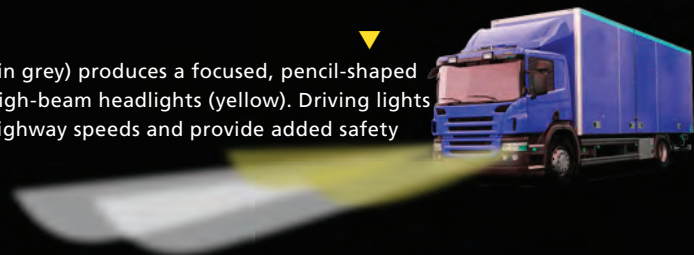
i

Beam Patterns

Below are the light beam patterns for driving lights and fog lights. Standard high-beam headlights are shown in yellow.

DRIVING LIGHT

The driving light pattern (shown in grey) produces a focused, pencil-shaped white light to reach far beyond high-beam headlights (yellow). Driving lights increase long range visibility at highway speeds and provide added safety while driving at night.



FOG LIGHT

Fog lights (shown in grey) provide a low, wide angle light pattern to increase short-range visibility. Ideal for added safety in fog, sleet and rain. Both amber and clear fog lights are suitable. Amber, while not penetrating, is more visible to approaching vehicles.



FLOOD LIGHT ▲

The flood beam is an excellent work light which illuminates wide and short areas, giving great medium range visibility.

▲ SPOT LIGHTS

The spot beam is a long-range light for marking rows, fence lines etc.

▲ TRAPEZOIDAL

The trapezoidal beam is an ideal, general-purpose work light designed with a narrower pattern for longer visibility.

i

What is the Temperature Control System?

The **Temperature Control System (TCS)** is a sensor added on to the circuit board. The internal sensor is activated automatically when the temperature reaches 75°C within the light.

When the sensor is activated, the lights output will be scaled down so the light does not over heat. However, in normal driving conditions with wind and low temperatures the TCS will increase the light output to achieve maximum performance. The TCS is overall designed to Extend the lifespan of the LED light while at the same time achieving high light output and exceptional performance.



The internal sensor is activated automatically when the temperature reaches 75°C within the light. When the sensor is activated, the lights output will be scaled down so the light does not over heat.



In normal driving conditions with wind and low temperatures, the TCS will increase the light output to achieve maximum performance.

Combination Tractor/Utility & Strobe Lamps – LED

Square Tractor/Utility/Strobe Lamp – LED

(Steady White Light or Amber Quad Flash Modes) with Temperature Control System

LED



725261



Front/Angled View



Side View



Back View



White Light
(Steady)



Quad Flash
(Amber)

- 10-30VDC
- 54 Watts
- Die-Cast Aluminum Housing (Black)
- Back also functions as a built-in 'heat sink'
- Polycarbonate Lens
- Stainless Steel Hardware
- IP67
- Made with EMC Technology (Electro Magnetic Compatibility), meaning protection against Radio Frequency Interference (RFI)
- Dimensions: 3.98"W x 4.50"H x 1.77"D
- Stud Size: 10mm
- Pedestal Mount



Description	Lumens	Current Draw	Wattage	Light Beam Pattern	1 PC/PK
White Light	5400	3.64A @ 12V, 1.88A @ 24V	45 Watts (9 x 5W Diodes)	Wide Flood Beam (120°)	725261
Quad Flash (Amber)	1125	0.2A @ 12V, 0.1A @ 24V	9 Watts (9 x 1W Diodes)	Quad Flash	



Rectangular Tractor/Utility/Strobe Lamp – LED

(Steady White Light and/or Amber Quad Flash Modes)

LED



725262



Front/Angled View



Side View



Back View



White Light (Steady)



White Light (Steady) &
Quad Flash (Amber)



Quad Flash (Amber)

- 10-30VDC
- 22.5 Watts
- Die-Cast Aluminum Housing (Black)
- Back also functions as a built-in 'heat sink'
- Polycarbonate Lens
- Stainless Steel Hardware
- IP67
- Made with EMC Technology (Electro Magnetic Compatibility), meaning protection against Radio Frequency Interference (RFI)
- Dimensions: 6.29"W x 1.80"H x 2.48"D
- Stud Size: 8mm
- Pedestal Mount



Description	Lumens	Current Draw	Wattage	Light Beam Pattern	1 PC/PK
White Light	1710	1.25A @ 12V, 0.62A @ 24V	13.5 Watts (9 x 1.5W Diodes)	Flood Beam (80°)	725262
Quad Flash (Amber)	1125	0.2A @ 12V, 0.1A @ 24V	9 Watts (9 x 1W Diodes)	Quad Flash	



Tractor/Utility Lamps – LED

4-3/4" Square Off-Road Lamp with Heated Lens

The heating function will be activated automatically when the temperature of the lens is below 40°C, indicated by a green LED. When the temperature of the front lens reaches 40°C, the heating function turns off automatically.

- 9-36VDC (1.7 to 3.6A @ 12V, 0.88 to 1.6A @ 24V)
- 5.2A @ 12V with Heater activated
- 43.2 Watts (36 x 1.2W Diodes)
- Die-Cast Aluminum Housing (Black)
- Back also functions as a built-in 'heat-sink'
- Tempered Glass Lens (Heated)
- Stainless Steel Hardware
- IP68, IP69K
- Made with EMC Technology (Electro Magnetic Compatibility), meaning protection against Radio Frequency Interference (RFI)
- Dimensions: 4.8"W x 4.92"H x 2.54"D
- Stud Size: 10mm
- Adjustable Bracket on the sides
- Pedestal Mount
- Built-in Deutsch Connection

Light Beam Pattern	Lumens	1 PC/PK
Flood Beam (45°)	5400	*725280



5400 Lumens

HEATED LENS



*725280



Deutsch Connection



Beam angle is easily adjustable

Rectangular Tractor/Utility Lamps – LED

Articulating/Pedestal Mount

- 10-30VDC (2.6A @ 12V, 1.3A @ 24V)
- 40 Watts (8 x 5W Diodes)
- Die-Cast Aluminum Housing (Black)
- Back also functions as a built-in 'heat-sink'
- Polycarbonate Lens
- Stainless Steel Hardware
- IP68
- Made with EMC Technology (Electro Magnetic Compatibility), meaning protection against Radio Frequency Interference (RFI)
- Dimensions: 3.8"W x 5.9"H x 3.7"D
- Stud Size: 8mm
- Articulating/Pedestal Mount

Light Beam Pattern	Lumens	1 PC/PK
Flood Beam (60°)	3200	725260



3200 Lumens



180° Rotation



725260



Side View

The Articulating Mount allows the light to be mounted vertically or horizontally

Tractor/Utility Lamps – LED

3-1/2" Round Tractor/Utility Lamp

UP TO 11000A
110VDC

IP68

NEW

LED



*725274

Deutsch Connection



Back View



Front/Angled View



Side View

- 9-110VDC (3.0A @ 12V)
- 36 x 1W Diodes
- Aluminum Alloy Housing (Black)
- Back also functions as a built-in 'heat-sink'
- Polycarbonate Lens
- Stainless Steel Hardware
- IP68
- Made with EMC Technology (Electro Magnetic Compatibility), meaning protection against Radio Frequency Interference (RFI)
- Dimensions: 3-5/8" Diameter x 2.05"D
- Stud Size: 8mm
- Pedestal Mount

Light Beam Pattern	Lumens	1 PC/PK
Flood Beam (75°)	2880	*725274



2880 Lumens

3-1/2" Square Tractor/Utility Lamp

UP TO 11000A
110VDC

IP68

NEW

LED



*725275

Deutsch Connection



Back View



Front/Angled View



Side View

- 9-110VDC (3.0A @ 12V)
- 36 x 1W Diodes
- Aluminum Alloy Housing (Black)
- Back also functions as a built-in 'heat-sink'
- Polycarbonate Lens
- Stainless Steel Hardware
- IP68
- Made with EMC Technology (Electro Magnetic Compatibility), meaning protection against Radio Frequency Interference (RFI)
- Dimensions: 3.31"W x 3.31"H x 1-3/4"D
- Stud Size: 8mm
- Pedestal Mount

Light Beam Pattern	Lumens	1 PC/PK
Flood Beam (75°)	2880	*725275



2880 Lumens

Tractor/Utility Lamps – LED (Extra Heavy-Duty Brackets)

The vibration-damping bracket works like a small shock absorber, keeping the light stable in harsh environments. It uses elastic parts—such as springs, rubber pads, or silicone blocks—to connect the light to the equipment frame. These elements absorb vibrations, reduce impact on internal components like LED boards and lenses, and help extend the lamp's life while maintaining stable performance.

3-1/2" Square Tractor/Utility Lamp (Extra Heavy-Duty)



Extreme Vibration-Resistant Bracket

- 9-32 VDC (3.33A @ 12V)
- 40 Watts (4 x 10W Diodes)
- Aluminum Alloy Housing
- Back also functions as a built-in 'heat-sink'
- Polycarbonate Lens
- Stainless Steel Hardware
- IP69K
- Made with EMC Technology (Electro Magnetic Compatibility), meaning protection against Radio Frequency Interference (RFI)
- Dimensions: 3.43"W x 3.03"H x 3.54"D
- Stud Size: 10mm
- Pedestal Mount

Light Beam Pattern	Lumens	1 PC/PK
Flood Beam (60°)	3600	*725277



Front/Angled View

*725277

Deutsch Connection



Back View

4" Square Tractor/Utility Lamp (Extra Heavy-Duty)



Extreme Vibration-Resistant Bracket

- 9-32 VDC (5.0A @ 12V)
- 60 Watts (6 x 10W Diodes)
- Aluminum Alloy Housing
- Back also functions as a built-in 'heat-sink'
- Polycarbonate Lens
- Stainless Steel Hardware
- IP69K
- Made with EMC Technology (Electro Magnetic Compatibility), meaning protection against Radio Frequency Interference (RFI)
- Dimensions: 3.94"W x 3.35"H x 3.54"D
- Stud Size: 10mm
- Pedestal Mount

Light Beam Pattern	Lumens	1 PC/PK
Flood Beam (60°)	5400	*725278



Front/Angled View

*725278

Deutsch Connection



Back View

Tractor/Utility Lamps – LED

Oval Tractor/Utility Lamp – LED

LED



725242



Back View



Side View

- 10-30VDC (2.5A @ 12V, 1.25A @ 24V)
- 65 Watts (13 x 5W Diodes)
- Die-Cast Aluminum Housing (Black)
- Back also functions as a built-in 'heat-sink'
- Polycarbonate Lens
- Stainless Steel Hardware
- IP67
- Made with EMC Technology (Electro Magnetic Compatibility), meaning protection against Radio Frequency Interference (RFI)
- Dimensions: 6.5"W x 4.45"H x 3.72"D
- Stud Size: 8mm
- Pedestal Mount

Light Beam Pattern	Lumens	1 PC/PK
Wide Flood Beam (90°)	5460	725242



5460 Lumens

Rectangular Off-Road Lamp with Curved/Angled Lens

IP68 IP69K

NEW

LED



*725276



Front/Angled View



Back View



Deutsch Connection

- 9-36VDC (4.2A @ 12V, 2.1A @ 24V)
- 60 Watts (6 x 10W Diodes)
- Die-Cast Aluminum Housing (Black)
- Back also functions as a built-in 'heat-sink'
- Curved (Angled) Polycarbonate Lens
- Stainless Steel Hardware
- IP68, IP69K
- Made with EMC Technology (Electro Magnetic Compatibility), meaning protection against Radio Frequency Interference (RFI)
- Dimensions: 5.39"W x 3.54"H x 2.66"D
- Stud Size: 8mm
- Pedestal Mount
- Built-in Deutsch Connection

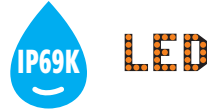
Light Beam Pattern	Lumens	1 PC/PK
Wide Flood Beam (120°)	5600	*725276



5600 Lumens

Tractor/Utility Lamps – LED

Cube Tractor/Utility Lamp (Large) – LED



'Side Shooting' LEDs Allows for 140° Beam Emission

- 10-30VDC (3.8A @ 12V, 2A @ 24V)
- 85 Watts (17 x 5W Diodes)
- Die-Cast Aluminum Housing
- Back also functions as a built-in 'heat-sink'
- Polycarbonate Lens
- Stainless Steel Hardware
- IP67 / IP69K
- Made with EMC Technology (Electro Magnetic Compatibility), meaning protection against Radio Frequency Interference (RFI)
- Dimensions: 5.32"W x 4.29"H x 3.52"D
- Stud Size: 10mm
- Pedestal Mount

Light Beam Pattern	Lumens	1 PC/PK
Wide Flood Beam (140°) with Centre Spot Beam (8°)	4732	725270



725270



Back View



Front/Angled View



Features a Deutsch Connector

Cube Tractor/Utility Lamp (Small) – LED



'Side Shooting' LEDs Allows for 140° Beam Emission

- 10-30VDC (2.18A @ 12V, 1.11A @ 24V)
- 29 Watts (4 x 5W, 6 x 1.5W Diodes)
- Die-Cast Aluminum Housing
- Back also functions as a built-in 'heat-sink'
- Polycarbonate Lens
- Stainless Steel Hardware
- IP67
- Made with EMC Technology (Electro Magnetic Compatibility), meaning protection against Radio Frequency Interference (RFI)
- Dimensions: 3.82"W x 3.07"H x 2.87"D
- Stud Size: 10mm
- Pedestal Mount

Light Beam Pattern	Lumens	1 PC/PK
Wide Flood Beam (140°) with Centre Spot Beam (10°)	3540	725258



725258



Side View



Front/Angled View

Tractor/Utility Lamps – LED

6" Square Tractor/Utility Lamp – LED With Temperature Control System



725269



Front/Angled View



Side View



Back View

Deutsch Connection
on the back

- 10-30VDC (12.4A @ 12V, 6.2A @ 24V)
- 180 Watts (36 x 5W Diodes)
- Die-Cast Black Aluminum Housing
- Back also functions as a built-in 'heat sink'
- Polycarbonate Lens
- 304 Stainless Steel Hardware
- IP69K
- Made with EMC Technology (Electro Magnetic Compatibility), meaning protection against Radio Frequency Interference (RFI)
- Dimensions: 6.14"W x 5.31"H x 3.56"D
- Stud Size: 10mm
- Pedestal Mount
- Built-in Deutsch Connection

Light Beam Pattern	Lumens	1 PC/PK
Wide Flood Beam (90°)	21,600	725269



5-1/2" Square Tractor/Utility Lamps – LED



Side View



725228



Front/Angled View



Back View



725229



Front/Angled View

- 10-30VDC (5.66A @ 12V, 2.88A @ 24V)
- 90 Watts (9 x 10W Diodes)
- Die-Cast Aluminum Housing (Black)
- Back also functions as a built-in 'heat sink'
- Polycarbonate Lens
- Stainless Steel Hardware
- IP67
- Made with EMC Technology (Electro Magnetic Compatibility), meaning protection against Radio Frequency Interference (RFI)
- Dimensions: 5.31"W x 4.72"H x 4.48"D
- Stud Size: 12mm
- Pedestal Mount

Light Beam Pattern	Lumens	1 PC/PK
Wide Flood Beam (90°)	8100	725228
Spot Beam (10°)	8100	725229



Tractor/Utility Lamps – LED

LED

5" Square Tractor/Utility Lamps – LED

- 9-32VDC (4A @ 12V, 2A @ 24V)
- 48 Watts (16 x 3W Diodes)
- Die-Cast Aluminum Housing (Black)
- Back also functions as a built-in 'heat sink'
- Tempered Glass Lens
- Stainless Steel Hardware
- IP67
- Made with EMC Technology (Electro Magnetic Compatibility), meaning protection against Radio Frequency Interference (RFI)
- Dimensions: 4.92"W x 6.10"H x 3.46"D
- Stud Size: 10mm
- Pedestal Mount

Light Beam Pattern	Lumens	1 PC/PK
Narrow Flood Beam (20°)	4800	725235
Spot Beam (10°)	4800	725236



4800
Lumens



Side View



Back View



Front/Angled View



725235



Front/Angled View



725236

4" Square Tractor/Utility Lamps – LED

LED

- 10-30VDC (3.8A @ 12V, 1.9A @ 24V)
- 48 Watts (16 x 3W Diodes)
- Die-Cast Black Aluminum Housing
- Back also functions as a built-in 'heat sink'
- PMMA (Polymethyl Methacrylate) Lens
- Stainless Steel Hardware
- IP67
- Made with EMC Technology (Electro Magnetic Compatibility), meaning protection against Radio Frequency Interference (RFI)
- Dimensions: 4.33"W x 4.33"H x 2.83"D
- Stud Size: 8mm
- Pedestal Mount

Light Beam Pattern	Lumens	1 PC/PK	10 PCS/PK
Flood Beam (60°)	3840	725218	725218B
Spot Beam (30°)	3840	725219	–



3840
Lumens



725218



725219



Side View



Back View

Tractor/Utility Lamps – LED

4" Square Tractor/Utility Lamp – LED

LED



725200



Side View



Back View

- 9-36VDC (0.8A @ 12V, 0.5A @ 24V)
- 8 Watts (8 x 1W Diodes)
- Aluminum Alloy Housing (Black)
- Back also functions as a built-in 'heat sink'
- Polycarbonate Lens
- Stainless Steel Hardware • IP67
- Made with EMC Technology (Electro Magnetic Compatibility), meaning protection against Radio Frequency Interference (RFI)
- Dimensions: 4-3/8" W x 4-7/8" H x 1-7/8" D
- Stud Size: 5/16"
- Pedestal Mount

Light Beam Pattern	Lumens	1 PC/PK	10 PCS/PK
Narrow Flood Beam (45°)	840	725200	725200B



840
Lumens

4" Square Tractor/Utility Lamp – LED

LED



725240



Front/Angled View



Side View



Back View

- 10-30VDC (1.4A @ 12V, 0.7A @ 24V)
- 24 Watts (8 x 3W Diodes)
- Die-Cast Aluminum Housing (Black)
- Back also functions as a built-in 'heat sink'
- Polycarbonate Lens
- Stainless Steel Hardware
- IP67
- Made with EMC Technology (Electro Magnetic Compatibility), meaning protection against Radio Frequency Interference (RFI)
- Dimensions: 4.33" W x 5.04" H x 2.17" D
- Stud Size: 8mm
- Pedestal Mount

Light Beam Pattern	Lumens	1 PC/PK	10 PCS/PK
Narrow Flood Beam (45°)	1920	725240	725240B



1920
Lumens

Tractor/Utility Lamps – LED

LED

Rectangular (Mini) Tractor/Utility Lamp – LED

- Low Profile Design • Surface Mount Installation

- 10-30VDC (0.38A @ 12V, 0.19A @ 24V)
- 15 Watts (3 x 5W Diodes)
- Die-Cast Aluminum Housing (Black) with Rubber Mounting Pad
- Polycarbonate Lens • IP67
- Dimensions: 3"W x 1-3/4"H x 1/2"D (1" Depth with mounting pad)
- Mounting Hole: 2-5/16" centre to centre • Surface Mount

Light Beam Pattern	Lumens	1 PC/PK	10 PCS/PK
Wide Flood Beam (120°)	1260	725245	725245B



1260 Lumens



4" Square Tractor/Utility Lamps – LED

LED

- 10-30VDC (1.1A @ 12V, 0.6A @ 24V)
- 15 Watts (5 x 3W Diodes)
- Die-Cast Hooded Aluminum Housing (Black)
- Back also functions as a built-in 'heat sink'
- Polycarbonate Lens • Stainless Steel Hardware • IP67
- Made with EMC Technology (Electro Magnetic Compatibility), meaning protection against Radio Frequency Interference (RFI)
- Dimensions: 4.33"W x 5.04"H x 1.81"D
- Stud Size: 5/16"
- Pedestal or Surface Mount

Light Beam Pattern	Lumens	1 PC/PK	10 PCS/PK
Flood Beam (60°)	1500	725225	–
Spot Beam (30°)	1500	725226	725226B



1500 Lumens



Mounting Brackets Supplied with 725225 & 725226 For User to Select Pedestal and Surface Mount Application

Tractor/Utility Lamps – LED

Rectangular Scene/Warning Lamp (Surface Mount)

With Temperature Control System



*725271



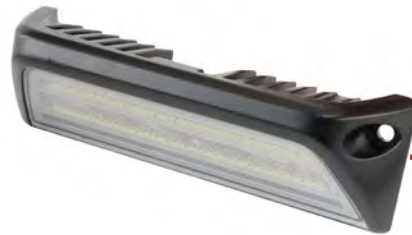
Back View



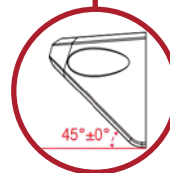
Side View

- 10-30VDC (1.54A @ 12V, 0.80A @ 24V)
- 52 Watts (52 x 1W Diodes)
- Die-Cast Aluminum Housing (Black)
- Back also functions as a built-in 'heat sink'
- Polycarbonate Lens
- Stainless Steel Hardware
- IP68 / IP69K
- Made with EMC Technology (Electro Magnetic Compatibility), meaning protection against Radio Frequency Interference (RFI)
- Dimensions:
 - 5.91" W x 1.85" H x 1.56" D
 - Surface Mount
 - 5.28" Centre to Centre, Mounting Holes are 10mm Dia.

Light Beam Pattern	Lumens	1 PC/PK
Wide Flood Beam (120°)	2900 Lumens (Raw) 2300 Lumens (Effective)	725271



45° downward facing flood beam allows for illumination of a larger area



Tractor/Utility Lamps – LED

Rectangular Tractor/Utility Lamps – LED

LED

- 10-30VDC (1.40A @ 12V, 0.7A @ 24V)
- 18 Watts (6 x 3W Diodes)
- Die-Cast Aluminum Housing (Black)
- Back also functions as a built-in 'heat-sink'
- Polycarbonate Lens
- Stainless Steel Hardware, Epoxy Coated Bracket
- IP67
- Dimensions: 6.33"W x 1.82"H x 2.38"D
- Stud Size: 5/16"
- Pedestal Mount

Light Beam Pattern	Lumens	1 PC/PK	10 PCS/PK
Wide Flood Beam (90°)	1440	725237	–
Flood with Centre Spot Beam (25°)	1440	725227	725227B



725237



Side View



725227



Back View



1440 Lumens

Rectangular Tractor/Utility Lamps – LED

Emits Coloured Beams

LED

- 10-30VDC (1.40A @ 12V, 0.7A @ 24V)
- 18 Watts (6 x 3W Diodes)
- Die-Cast Aluminum Housing (Black)
- Back also functions as a built-in 'heat-sink'
- Polycarbonate Lens
- Stainless Steel Hardware, Epoxy Coated Bracket
- IP67
- Dimensions: 6.33"W x 1.82"H x 2.38"D
- Stud Size: 5/16"
- Pedestal Mount

Light Beam Pattern	Lumens	1 PC/PK
Spot Beam (25°), Amber	1440	725247
Spot Beam (25°), Blue	1440	725257



725247



725257



1440 Lumens



Side View



Back View

Tractor/Utility Lamps – LED

Rectangular Tractor/Utility Lamps – LED

LED

Cool Black, Frameless, Hooded Reflector Design with Temperature Control System



725268



Front/Angled View



Side View



Back View



Features a Deutsch Connector

- 10-30VDC (2.04A @ 12V, 1.04A @ 24V)
- 30 Watts (6 x 5W Diodes)
- Die-Cast Aluminum Housing
- Back also functions as a built-in 'heat-sink'
- Polycarbonate Lens
- Stainless Steel Hardware
- IP69K
- Made with EMC Technology (Electro Magnetic Compatibility), meaning protection against Radio Frequency Interference (RFI)
- Dimensions: 6.18" W x 1.72" H x 2.36" D
- Stud Size: 8mm
- Pedestal Mount
- Built-in Deutsch Connection

Light Beam Pattern	Lumens	1 PC/PK
Wide Flood Beam (90°)	2880	725268



2880 Lumens

3" Square Tractor/Utility Lamps – LED

Cool Black, Screwless, Hooded Reflector Design with Temperature Control System

IP69K

LED



725263



Front/Angled View



Side View



Features a Deutsch Connector



Back View

- 10-30VDC (1.5A @ 12V, 0.75A @ 24V)
- 20 Watts (4 x 5W Diodes)
- Die-Cast Aluminum Housing (Black)
- Back also functions as a built-in 'heat sink'
- Polycarbonate Lens
- Stainless Steel Hardware
- IP69K
- Made with EMC Technology (Electro Magnetic Compatibility), meaning protection against Radio Frequency Interference (RFI)
- Dimensions: 2.74" W x 2.83" H x 2.35" D
- Stud Size: 8mm
- Pedestal Mount
- Built-in Deutsch Connection

Light Beam Pattern	Lumens	1 PC/PK
Wide Flood Beam (90°)	1920	725263



1920 Lumens

Tractor/Utility Lamps – LED

Rectangular Tractor/Utility Lamps – LED

LED

- 10-30VDC (1.40A @ 12V, 0.73A @ 24V)
- 18 Watts (6 x 3W Diodes)
- Die-Cast Aluminum Housing (Black)
- Back also functions as a built-in 'heat sink'
- Polycarbonate Lens • Stainless Steel Hardware • IP67
- Made with EMC Technology (Electro Magnetic Compatibility), meaning protection against Radio Frequency Interference (RFI)
- Dimensions: 4.33"W x 2.36"H x 2.20"D
- Stud Size: 8mm • Pedestal Mount

Light Beam Pattern	Lumens	1 PC/PK
Flood Beam (60°)	1440	725230
Spot Beam (30°)	1440	725231



1440
Lumens



Front/Angled View



725230



Back View



Side View



725231

Rectangular Tractor/Utility Lamp – LED

LED

- 10-30VDC (0.85A @ 12V, 0.42A @ 24V)
- 9 Watts (3 x 3W Diodes)
- Die-Cast Aluminum Housing (Black)
- Back also functions as a built-in 'heat sink'
- Polycarbonate Lens • Stainless Steel Hardware • IP67
- Made with EMC Technology (Electro Magnetic Compatibility), meaning protection against Radio Frequency Interference (RFI)
- Dimensions: 4.33"W x 2.36"H x 2.20"D
- Stud Size: 8mm • Pedestal Mount

Light Beam Pattern	Lumens	1 PC/PK
Flood Beam (60°)	720	725222



720
Lumens



Back View



Side View



725222

Linear Tractor/Utility Lamp (Mini)

IP69K **NEW** LED

- 12-30VDC (0.51A @ 12V, 0.25A @ 24V)
- 4.5 Watts (3 x 1.5W Diodes)
- Thermal Plastic Housing (Black)
- Back also functions as a built-in 'heat sink'
- Polycarbonate Lens • Stainless Steel Hardware • IP67, IP69K
- Made with EMC Technology (Electro Magnetic Compatibility), meaning protection against Radio Frequency Interference (RFI)
- Dimensions: 2.27"W x 1.28"H x 0.94"D
- Stud Size: 6mm • Pedestal Mount

Light Beam Pattern	Lumens	1 PC/PK
Flood Beam (30°)	600	*725273



600
Lumens

Mini **MEGALUMEN™**

With 2.27" x 1.28" x 0.94" Dimensions, This Lamp Can Be Used in The Most Confined Areas



Back View



*725273

MEGALUMEN

Tractor/Utility Lamps – LED

2-1/2" Round Tractor/Utility Lamp



*725272

- 10-30VDC (0.76A @ 12V, 0.43A @ 24V)
- 12 Watts (8 x 1.5W Diodes)
- Die-Cast Aluminum Housing (Black)
- Back also functions as a built-in 'heat sink'
- Polycarbonate Lens
- Stainless Steel Hardware
- IP68 / IP69K
- Made with EMC Technology (Electro Magnetic Compatibility), meaning protection against Radio Frequency Interference (RFI)
- Dimensions: 2.5" Dia. x 1.38"D
- Stud Size: 8mm
– Pedestal Mount



Side View



Back View

Light Beam Pattern	Lumens	1 PC/PK	16 PCS/ DISPLAY BOX	30 PCS/ DISPLAY BOX
Flood Beam 73°(Hor), 60°(Ver)	1040 (Raw) 993 (Effective)	*725272	*725272-POP16	*725272-POP30

*NEW



2-1/2" Round Tractor/Utility Lamp – Countertop POP Display



*725272-POP30

*725272-POP30 Includes 30 individually packaged 2-1/2" Round Lamps in a coloured countertop display. POP Display Dimensions: 12-1/2"H x 14-1/4"W x 15-1/2"D



*725272-POP16

*725272-POP16 Includes 16 individually packaged 2-1/2" Round Lamps in a coloured countertop display. POP Display Dimensions: 10-3/4"H x 10-1/4"W x 12-3/5"D

Tractor/Utility Lamps – LED

2" Round (Mini) Tractor/Utility Lamps – LED

LED

- 9-60VDC (0.83A @ 12V, 0.41A @ 24V)
- 10 Watts (1 x 10W Diode)
- Die-Cast Aluminum Housing (Black)
- Back also functions as a built-in 'heat sink'
- Polycarbonate Lens
- Stainless Steel Hardware • IP67
- Made with EMC Technology (Electro Magnetic Compatibility), meaning protection against Radio Frequency Interference (RFI)
- Dimensions: 2.24"W x 2.24"H x 2.56"D
- Stud Size: 6mm • Pedestal Mount

Light Beam Pattern	Lumens	1 PC/PK
Flood Beam (20°)	750	725234
Spot Beam (10°)	750	725233



750
Lumens



725234



Side View



725233



Back View

4-1/2" Round Tractor/Utility Lamps – LED

LED



725209



725211



725209



725211

- 10-30VDC (1.3A @ 12V, 0.6A @ 24V)
- 18 Watts (6 x 3W Diodes)
- Die-Cast Hooded Aluminum Housing (Black)
- Back also functions as a built-in 'heat-sink'
- Polycarbonate Lens
- Stainless Steel Hardware
- IP67
- Made with EMC Technology (Electro Magnetic Compatibility), meaning protection against Radio Frequency Interference (RFI)
- Dimensions: 4.56" W x 5.04" H x 1.89" D
- Stud Size: 5/16"
- Pedestal or Surface Mount

Light Beam Pattern	Lumens	1 PC/PK	10 PCS/PK
Flood Beam (60°)	1800	725209	725209B
Spot Beam (30°)	1800	725211	–



1800
Lumens

Mounting Brackets Supplied with **725209 & 725211** For User to Select Pedestal and Surface Mount Application



SURFACE MOUNT



PEDESTAL MOUNT



Tractor/Utility Lamps – LED

4-1/2" Round Tractor/Utility Lamps – LED

LED



725238



Side View



725239



Back View

- 10-30VDC (2.1A @ 12V, 1.1A @ 24V)
- 27 Watts (9 x 3W Diodes)
- Die-Cast Hooded Aluminum Housing (Black)
- Back also functions as a built-in 'heat sink'
- Polycarbonate Lens
- Stainless Steel Hardware
- IP67
- Made with EMC Technology (Electro Magnetic Compatibility), meaning protection against Radio Frequency Interference (RFI)
- Dimensions: 4.33"W x 5.04"H x 2.25"D
- Stud Size: 8mm • Pedestal Mount

Light Beam Pattern	Lumens	1 PC/PK	10 PCS/PK
Flood Beam (60°)	2160	725238	725238B
Spot Beam (30°)	2160	725239	–



2160
Lumens

4-1/2" Round Tractor/Utility Lamp – LED

LED



725241



- 10-30VDC (1.4A @ 12V, 0.7A @ 24V)
- 24 Watts (8 x 3W Diodes)
- Die-Cast Aluminum Housing (Black)
- Back also functions as a built-in 'heat sink'
- Polycarbonate Lens
- Stainless Steel Hardware
- IP67
- Made with EMC Technology (Electro Magnetic Compatibility), meaning protection against Radio Frequency Interference (RFI)
- Dimensions: 4.33"W x 5.04"H x 1.77"D
- Stud Size: 8mm
- Pedestal Mount

Light Beam Pattern	Lumens	1 PC/PK
Narrow Flood Beam (45°)	1920	725241



1920
Lumens



Side View



Back View

Tractor/Utility Lamps – LED Sealed Beams

LED

LED PAR 36 (4-1/2" Round) Tractor/Utility Lamps – Rubber Housing (19 Diodes)

LED Tractor/Utility Lamp Assemblies in Rubber Housing

- 12VDC (0.15A @ 12V)
- 19 Diodes
- Rubber Housing (Black)
- Lamp emits a Flood Beam up to 200 feet that is very similar to the standard Incandescent Par 36 Lamp.
- Dimensions: 4-7/8" Dia. x 5-7/8"H x 3"D
- Stud Size: 5/16" • Pedestal Mount

Light Beam Pattern	Lumens	1 PC/PK	10 PCS/PK
Flood Beam (20°)	250	725210	725210B

250
Lumens



725210

Replacement Parts For LED PAR 36 (4-1/2" Round) Tractor/Utility Lamp Assemblies – Rubber Housings

LED

Description	1 PC/PK	10 PCS/PK
LED version of #4411. Flood Beam. 250 Lumens. 19 Diodes. 0.15A @ 12VDC	735436	
4-1/2" Round (Rubber) Housing Only – Slide Connectors/ Quick Disconnects	725045	725045B
Magnet 3" x 3" Square with Scratch-Resistant Covering	739007	



735436

Tractor/Utility Lamps – LED Sealed Beams

LED PAR 36 (4-1/2" Round) Sealed Beam & Housing Assembly, with High-Low Settings

LED



725256

- Low Beam is a Flood Pattern, High Beam is a Spot Pattern
- 10-32VDC (1.6A @ 12V, 0.8A @ 24V)
- 40 Watts (8 x 5W Diodes)
- Die-Cast Aluminum Housing • Polycarbonate Lens
- IP67 • Dimensions: 4-7/8" Dia. x 5-7/8"H x 3"D
- Stud Size: 5/16" • Pedestal Mount

Clear Lens, Rubber Housing

Light Beam Pattern	Lumens	1 PC/PK
Combination Flood Beam (60°) & Spot Beam (30°)	2200 (Maximum)	725256



2200 Lumens

LED PAR 36 (4-1/2" Round) Sealed Beam Only, with High-Low Settings

Will Fit/Retrofit Into PAR 36 Housings



735459

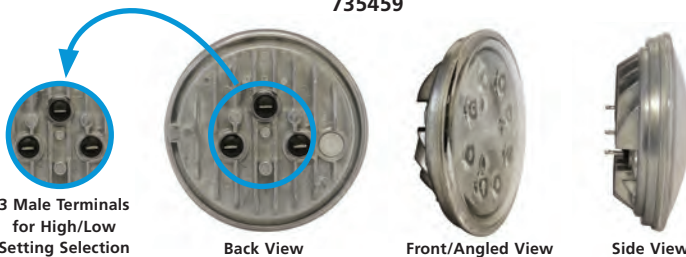
- Low Beam is a Flood Pattern, High Beam is a Spot Pattern
- 10-32VDC (1.6A @ 12V, 0.8A @ 24V)
- 40 Watts (8 x 5W Diodes)
- Die-Cast Aluminum Housing
- Polycarbonate Lens • IP67

Clear Lens

Light Beam Pattern	Lumens	1 PC/PK
Combination Flood Beam (60°) & Spot Beam (30°)	2200 (Maximum)	735459



2200 Lumens



3 Male Terminals for High/Low Setting Selection

Back View

Front/Angled View

Side View

4-1/2" Round Housings for PAR 36 LED Sealed Beams



725045

Housing Only	Terminals	1 PC/PK	10 PCS/PK
Rubber	Slide Connectors/Quick Disconnects	725045	725045B

More Housings & Accessories Can Be Found In Our 154-page Lighting & Safety Equipment Catalogue



Tractor/Utility Lamps – LED Sealed Beams

LED

LED PAR 36 (4-1/2" Round) Sealed Beams

Will Fit/Retrofit Into PAR 36 Rubber & Steel Housings

- 10-32VDC (1.2A @ 12V, 0.6A @ 24V)
- 18 Watts (6 x 3W Diodes)
- Die-Cast Aluminum Housing
- Polycarbonate Lens • IP67

Clear Lens

Light Beam Pattern	Lumens	1 PC/PK
Flood Beam (60°)	1440	735451
Spot Beam (30°)	1440	735452

Amber Lens

Light Beam Pattern	Lumens	1 PC/PK
Flood Beam (60°)	1440	735453
Spot Beam (30°)	1440	735454



735451



735452



Back View



735453



735454



Side View

Front/Angled View



LED PAR 46 (6" Round) Sealed Beams

LED

Will Fit/Retrofit Into PAR 46 Housings

- 6-32VDC (1.2A @ 12V, 0.6A @ 24V)
- 18 Watts (6 x 3W Diodes)
- Die-Cast Aluminum Housing
- Polycarbonate Lens
- IP67

Clear Lens

Light Beam Pattern	Lumens	1 PC/PK
Flood Beam (60°)	1440	735457
Spot Beam (30°)	1440	735458



735457



735458



Back View



Side View



Back View



Side View

Forklift Lamps – LED

Techspan® LED forklift lamps help make environments where forklifts are operated safer. Forklift lamps are designed to help raise awareness for drivers, pedestrians and other on-property workers to take precautions.



LED

LED Oval Forklift Lamp (Blue)



725244



Side View

Back View

**NEWLY
 DESIGNED
 TO HANDLE
 9-110 VOLT
 APPLICATIONS!**

- 9-110V (0.52A @12V, 0.24A @ 24V)
- 6 Watts (2 x 3W Diodes)
- Die-Cast Aluminum Housing (Black)
- Back also functions as a built-in 'heat-sink'
- Polycarbonate Lens
- Stainless Steel Hardware
- IP68
- Made with EMC Technology (Electro Magnetic Compatibility), meaning protection against Radio Frequency Interference (RFI)
- Dimensions: 4.80"W x 2.95"H x 2.95"D
- Stud Size: 8mm • Pedestal Mount

Light Beam Pattern	Lumens	1 PC/PK
Blue Spot Beam (2°)	1260	725244



**1260
 Lumens**

Octagonal Forklift Lamps – LED

LED



725243



Side View

Back View

- 10-80VDC (0.5A @ 12V, 0.25A @ 24V)
- 6 Watts (2 x 3W Diodes)
- Aluminum Alloy Housing (Black)
- Back also functions as a built-in 'heat-sink'
- Polycarbonate Lens
- Stainless Steel Hardware
- IP67
- Made with EMC Technology (Electro Magnetic Compatibility), meaning protection against Radio Frequency Interference (RFI)
- Dimensions: 3.64"W x 2.41"H x 1.80"D
- Stud Size: 8mm • Pedestal Mount

Light Beam Pattern	Lumens	1 PC/PK
Blue Spot Beam (8°)	540	725243



**540
 Lumens**

Forklift Lamps – LED

Octagonal Forklift Lamps – LED

LED

- 10-80VDC (0.5A @ 12V, 0.25A @ 24V)
- 6 Watts (2 x 3W Diodes)
- Aluminum Alloy Housing (Black)
- Back also functions as a built-in 'heat-sink'
- Polycarbonate Lens
- Stainless Steel Hardware
- IP67
- Made with EMC Technology (Electro Magnetic Compatibility), meaning protection against Radio Frequency Interference (RFI)
- Dimensions: 3.64"W x 2.41"H x 1.80"D
- Stud Size: 8mm • Pedestal Mount



725246

Light Beam Pattern	Lumens	1 PC/PK
Red Spot Beam (8°)	540	725246



540 Lumens



Side View



Back View

LED Rectangular Forklift Lamp (Red) – Linear Beam

LED

- 9-110V (1.2A @ 12V, 0.6A @ 24V)
- 24 Watts (8 x 3W Diodes)
- Die-Cast Aluminum Housing
- Back also functions as a built-in 'heat-sink'
- Polycarbonate Lens
- Stainless Steel Hardware
- IP67
- Made with EMC Technology (Electro Magnetic Compatibility), meaning protection against Radio Frequency Interference (RFI)
- Dimensions: 7.2"W x 2"H x 1.75"D
- Stud Size: 2 x 1/4"
- Pinch Mount



725248

Light Beam Pattern	Lumens	1 PC/PK
Red Linear Beam	554	725248



554 Lumens



Side View



Back View



Front/Angled View

Lighting & Safety Equipment – LED



Side View



Back View

LED Search Lights

- 10-36VDC
- 60 Watts (6 x 10 Watt Diodes)
- High Impact Plastic Housing
- Polycarbonate Lens
- IP65
- Made with EMC Technology (Electro Magnetic Compatibility)

- Total Dimensions: 6.83" L x 7.21" H x 7.55" D
- Magnetic & Surface Mount
- Light Penetration distance: 1804FT (550M)
- LED colour: 6500K
- Rotation: 360°, Tilt: 60°
- Estimated Working Life: 50,000 Hours



Remote Control/Smartphone Compatible

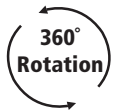
- Includes 1 Remote Control (Range: 98FT or 30 Metres)
- Cord length: 9.35 FT (2.85M)
- Reduced Radio Frequency Interference (RFI)

Description	Lumens	Part#
Spot Beam (10°)	4800	*723534

*NEW

Description	Part#
Remote for the LED search Light (P# 723534)	*723534-R

*NEW



*723534



*723534-R



We are transitioning to a new Remote Control

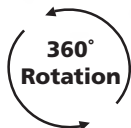


Hardwired

- Cord length: 16.4 FT (5 Metres)
- Full protection against Radio Frequency Interference (RFI)

Description	Lumens	Part#
Spot Beam (10°)	4800	*723533

*NEW



*723533



Ideal for use in Mining Applications

Handheld Lights

Handheld/Magnetic Warning & Utility Lamp

NEW LED

More than just a light—it's an essential portable tool for the professional garage and the open road that is built for durability.

Versatility in Every Environment: From deep engine bays to roadside emergencies and off-grid camping.

Precision Positioning: 180° rotatable handle with 51° forward and 51° backward tilt for required angle.

Intelligent Power Management: Integrated LCD digital display monitors battery life and output in real-time.

4 Modes to choose from:

- 1 Flashing (SOS)
- 2 High (100% Output)
- 3 Medium (50% Output)
- 4 Low (30% Output)

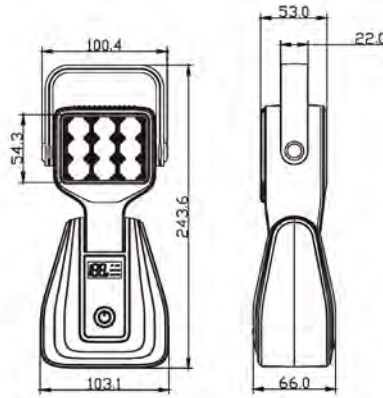
*High, Medium, and Low modes emit a 50° Flood Beam

The Ultimate Power Hub: Fast USB, USB-C recharging with a built-in Power Bank and Dual USB ports to charge other devices. Cable included

Magnetic Mounting: Industrial-grade magnetic base for secure, hands-free operation on any metal surface.

- 18 Watts (18 x 1W Diodes)
- Polycarbonate Housing (Metallic Grey)
- Back also functions as a built-in 'heat sink'
- Polycarbonate Lens
- IP65
- Made with EMC Technology (Electro Magnetic Compatibility), meaning protection against Radio Frequency Interference (RFI)
- Magnetic Mount

*723500 Portable Handheld/Magnetic Warning & Utility Lamp



Strong Magnetic Base



*723500

Ideal for Workshops, Mechanics, and Outdoor Living

AVAILABLE SEPT. 2026



180° Rotating Handle



4 Modes to choose from



Scan the QR Code to view a demonstration video



51° Tilt forward & 51° Tilt backward



LCD Display



USB C + USB A - Charging ports



Industrial-grade Magnet



Lighting & Safety Equipment

LED Snow Plow Lights

LED

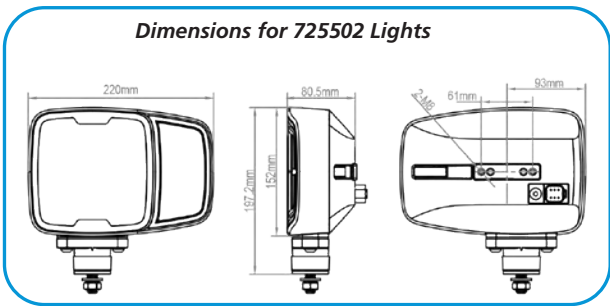
This light features a directional mount that can be applied to the base or back of the light.



- 10-30VDC
- Aluminum Housing (Black)
- Main Light: Heated Glass Lens. Turn Signal: Polycarbonate Lens
- Stainless Steel Hardware
- IP67
- Made with EMC Technology
- M12 x 45mm Stud
- Comes with Deutsch Connection & Installation Hardware
- SAE/DOT Compliant
- Auto Lens Heater
- Bezel-less and Screw-less frame reduces dirt/snow/ice accumulation



3564 Lumens (High Beam)	1620 Lumens (Low Beam)	328 Lumens (Turn Signal)	47 Lumens (Position Light)
---	--	--	--



Description	Part#
Curbside Light (1 PC)	725502-TC
Roadside Light (1 PC)	725502-RR
1 SET (2 PCS)	725502-PR

Description	Lumens	Current Draw
High Beam	3564	1.76A @ 12V, 0.88A @ 24V
Low Beam	1620	1.48A @ 12V, 0.74A @ 24V
Heating Element	-	-

Dual Lamp Harness for 725502-series LED Snow Plow Lights



USE THE DUAL LAMP HARNESS WITH THE 725502 SERIES SNOW PLOW LIGHTS



Functions	Certificate
Low Beam	DOT/SAE
High Beam	DOT/SAE
Position Light	-
Turn Signal Light	-

- Ground Negative Pole
- High Beam
- Low Beam
- Curbside Indicator
- Park Light
- Roadside Indicator

Description	1 PC/PK
Dual Lamp Harness for LED Snow Plow Lights	725503

Deutsch Connection

Lighting & Safety Equipment

LED Snow Plow Lights

LED

The heating function will be activated automatically when the temperature of the lens is below 40°C, indicated by a green LED. When the temperature of the front lens reaches 40°C, the heating function turns off automatically. Detachable Amber Turn Signal Lamp can be mounted in the Right, Middle or Left position.

Description	Part#
1 PC	725500
1 SET (2 PCS)	725500-PR

- 10-30VDC
- Aluminum Housing (Black)
- Glass Lens (Tempered)
- Stainless Steel Hardware
- IP68
- Made with EMC Technology
- 3/8" Stud
- Comes with Deutsch Connection & Installation Hardware
- SAE/DOT compliant
- Auto Lens Heater



725500-PR

Description	Lumens	Optimal Beam Distance	Current Draw
High Beam	3600	1600FT (487m)	3.0A @ 12V, 1.50A @ 24V
Low Beam	1800	980FT (298m)	1.7A @ 12V, 0.85A @ 24V
Heating Element	-	-	1.9A @ 12V



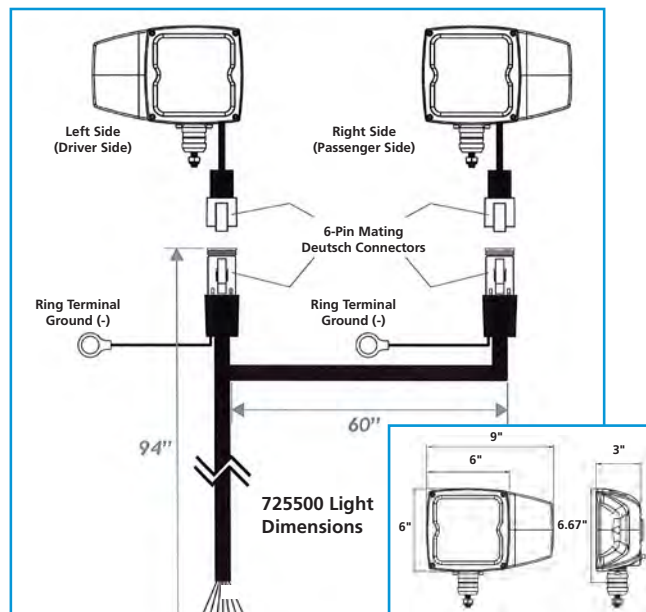
3600 Lumens

1800 Lumens

Features	Benefits
Auto Lens Heater	Melts snow off for better visibility (Increases Safety)
SAE/DOT compliant as a High & Low Beam Headlight, Turn Signal, Parking Lamp	Legal for "On-Road" Use
Detachable Turn Signal*	Can be mounted in the Right, Left or Middle position.
Universal Mounting*	Horizontal or Vertical Mount
Deutsch Connection (6-Pin)	Environmentally Sealed Connections
EMC Technology	Protection against RFI



Dual Lamp Harness for 725500-series LED Snow Plow Lights



USE THE DUAL LAMP HARNESS WITH THE 725500 SERIES SNOW PLOW LIGHTS



725501

Deutsch Connection

Description	1 PC/PK
Dual Lamp Harness for LED Snow Plow Lights	725501

Deutsch Connectors

'DT-Series' Overmolded Deutsch Harnesses

Techspan's Overmolded DT-Series Deutsch Harnesses are engineered for automotive, heavy-duty, industrial and other demanding applications. These rugged connectors provide a weather-resistant seal and wire strain relief, safeguarding against wire breakage and damage. With a secure snap-together design, our Overmolded DT-Series Deutsch Harnesses alleviate tension and ensure a dependable connection, giving you peace of mind in even the toughest environments, all while reducing tooling and labour costs.



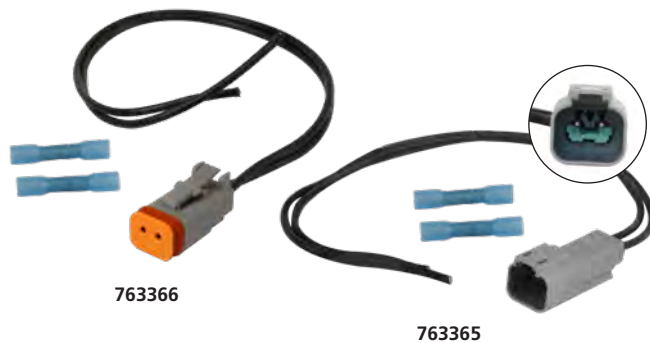
- DT-Series
- 16GA Black & Red Wires (12" Long)
- Heat Shrink Butt Splices included with each harness



Connection	Description	1 KIT/PK	10 KITS/PK
2-Way	Plug	*763370	*763370B
2-Way	Receptacle	*763369	*763369B
3-Way	Plug	*763372	*763372B
3-Way	Receptacle	*763371	*763371B
4-Way	Plug	*763374	*763374B
4-Way	Receptacle	*763373	*763373B



'DT-Series' Deutsch Harnesses



- DT-Series
- 16GA, 12" Wire Leads
- Heat Shrink Butt Splices included with each harness

Connection	Harness Consists of:	1 KIT/PK	10 KITS/PK
2-Way Plug	DT06-2S Housing + W2S Wedgelock + 0462-201-16141 Solid Contacts + 16GA Wire (12")	763366	763366B
2-Way Receptacle	DT04-2P Housing + W2P Wedgelock + 0460-202-16141 Solid Contacts + 16GA Wire (12")	763365	763365B

'DT-Series' Deutsch Harnesses with LED Indicator



Premade DT-Series Harnesses are made with LED-equipped Wedgelocks (for 12VDC applications), transparent plug housings and 12" wire leads (14GA) whose polarity is identified by the colour of the wire. Users can also utilize these harnesses to test viability of Deutsch circuits.

Voltage	1 PC/PK
12VDC	*763467
24VDC	*763468

Lighting & Safety Equipment

ATTENTION DISTRIBUTORS!
 CONTACT OUR SALES TEAM FOR DETAILS ON HOW YOU CAN
 ADD ONE OF THESE DISPLAYS TO YOUR SHOWROOM



725297



*725296

LED TRACTOR LAMP DISPLAYS

- Ideal for every showroom!
- Fully functioning displays!
- Small footprint – measures 16"W x 24"H x 6"D!



New Edition Coming Soon!

Techspan Lighting & Safety Equipment Catalogue
Part# 2013LSE



Techspan Wire, Cable & Electrical Accessories Catalogue
Part# 2024WCE



New Edition Coming Soon!

Techspan Wire Management Products
Part# 2020WMP



New Edition Coming Soon!

Techspan Control & Automation Products
Part# 2018CAP

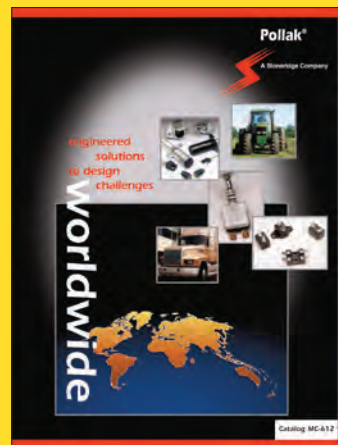


ONLINE ONLY

Bayco Professional Lighting & Cord Solutions
Part# TB2014



Littelfuse/Cole Hersee Catalogue
Part# CVP150



Techspan/Pollak Heavy-Duty Electrical Controls' Products
Part# MC-1217

ta EST. 1989 **TECHSPAN** Techspan.ca



Eastern/Central Canada
2810 Coventry Road
Oakville, Ontario
L6H 6R1

Tel: 905.820.6150 or 1.800.363.1588
Fax: 905.820.6142
Email: sales@techspan.ca

Western Canada
7590 Conrad Street
Burnaby, BC
V5A 2H7

Tel: 604.420.0425
Fax: 604.420.3149
Email: westsales@techspan.ca

