



2026 New Product Booklet



LED Perimeter Lights



Rectangular – 4" Wide



Rectangular – 4" Wide



Front View



Back View



- 10-30VDC
- Aluminum Housing (Black)
- Clear Polycarbonate Lens
- SAE J595 Class 1 (on applicable colours & flash patterns)
- IP67
- Synchronizable
- Dimensions: 3.98"W x 1.28"H x 0.55"D
- Surface Mount – Mounting Holes are 3.5" apart, centre-to-centre (3.6mm Dia.)

Single Colour

- 4 x 3W Diodes • 0.68A @ 12V
- 11 User-Selectable Flash Patterns

Colour	Part#
● Amber	*740040
● Blue	*740041
● Green	*740042

Colour	Part#
● Red	*740043
○ White	*740044

Dual Colour

- 8 x 3W Diodes • 0.70A @ 12V
- 27 User-Selectable Flash Patterns (Single & Dual Colour options)

Colour	Part#
● Amber + Blue	*740061
● Amber + White	*740062

Rectangular – 4.7" Wide



Rectangular – 4.7" Wide



Front View



Back View



- 10-30VDC
- Aluminum Housing (Black)
- Clear Polycarbonate Lens
- SAE J595 Class 1 (on applicable colours & flash patterns)
- IP67, IP69K
- Synchronizable
- Dimensions: 4.72"W x 1.28"H x 0.55"D
- Surface Mount – Mounting Holes are 4.25" apart, centre-to-centre (3.7mm Dia.)

Single Colour

- 6 x 3W Diodes • 0.80A @ 12V
- 11 User-Selectable Flash Patterns

Colour	Part#
● Amber	*740045
● Blue	*740046
● Green	*740047

Colour	Part#
● Red	*740048
○ White	*740049

Dual Colour

- 12 x 3W Diodes • 0.91A @ 12V
- 27 User-Selectable Flash Patterns (Single & Dual Colour options)

Colour	Part#
● Amber + Blue	*740063
● Amber + White	*740064

Mounting Bracket for 4.7" Wide LED Perimeter Lights

740065 Black Epoxy Coated Steel. 4.72"W x 1.25"H



740065

Lighting & Safety Equipment

Mini LED Beacons (Rechargeable)

- 24 x 1W Diodes
- Aluminum Base
- Clear Polycarbonate Lens
- Dimensions: 3.46" H x 5.91" Dia.
- 10 User-Selectable Flash Patterns
- SAE J845 Class 1 (On applicable colours & flash patterns)
- IP66
- 4 Hours of charge time gives 4-8 hours of use
- Ultra strong magnet
- Includes a wall & car charger (with USB-C adapter) and Remote Control

Colour	Part#
● Amber	*745017



Includes a wall & car charger (with USB-C adapter) and Remote Control



*745017



LED



Portable Compact-Sized LED Beacons (Rechargeable)

These powerful, yet portable beacons are designed for reliable performance in demanding environments. Built with 8 high-intensity 5W LEDs and offering four user-selectable flash patterns, it delivers exceptional visibility when it matters most. Its USB-C rechargeable design provides up to 5 hours of continuous operation with 2 hours of charge time, while the rugged polycarbonate UV-resistant lens and durable aluminum base ensure long-lasting durability. Engineered for tough conditions, these compact-sized beacons offer IP65 water ingress protection and has an operating temperature range of -20°C to 50°C. A trusted choice for professional and portable safety applications.

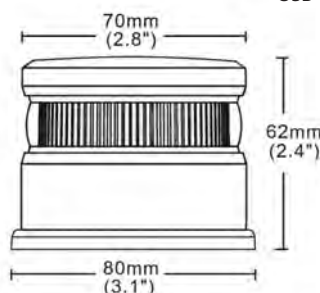
- DC 5V
- IP65
- Strong Magnetic Base
- Clear Polycarbonate Lens
- Dimensions: 2.4" H x 2.8" Dia (Base: 3.1" Dia.)
- Four User-Selectable Flash Patterns: Rotation, SOS, Steady-On, High Intensity rotating flash*
- Polymer Lithium-Ion Battery
- Includes USB-C charging cable

Diodes	SAE Conformity	Part#
● Amber (8 x 5W)	SAE J845 Class 1, SAE J845 Class 2	*745018
● Green (8 x 3W)	SAE J845 Class 3	*745019

* SAE Class 1 on applicable flash patterns



Includes USB-C cable



*745018



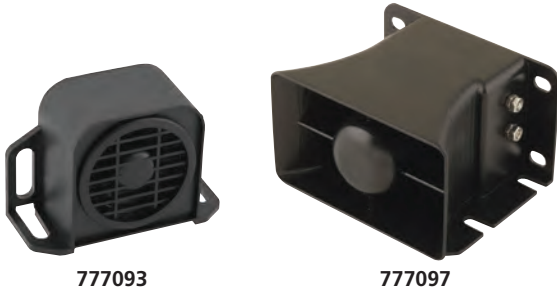
*745019



Back-Up Alarms

TECHSPAN® Tonal Back-Up Alarms conform to SAEJ994 safety standards (except for the self-adjusting models) and can be used for 12-24 applications. Solid state electronics are totally encapsulated in epoxy thus sealing alarms against moisture, vibration & corrosion. Polarity protected Nylon Housing. Units are steam-cleanable. Operating temperature: -40°C to 80°C. Universal Mounting. IP67. Screw Terminals.

Units showing a range of decibel levels mean they automatically adjust to changing ambient noise levels. These alarms adjust to a minimum of 5dB above surrounding noise levels.



Tonal Back-Up Alarms (Self-Adjusting)

Decibel Level(s)	Voltage	Current Rating	1PC/PK	10 PCS/PK
77-102dB	12-24VDC	0.6A	777093	777093B
87-112dB	12-24VDC	0.8A	777097	777097B

Tonal Back-Up Alarms (Single Decibel)



Decibel Level(s)	Voltage	Current Rating	1PC/PK ^{*NEW} (Clamshell)	1PC/PK (Colour Box)	10 PCS/PK
87dB	12-24VDC	0.6A	–	777088	777088B
97dB	12-24VDC	0.8A	*777082-DP	777082	777082B
107dB	12-24VDC	0.8A	*777083S-DP	*777083S	*777083SB
112dB	12-24VDC	0.8A	–	777084	777084B

^{*NEW}



777083 has been superseded by p# **777083S**
 777083B has been superseded by p# **777083SB**

The 97db & 107db Tonal Back-Up Alarms Have A New Look (Grill Design, Screw Terminations, Packaging)

NEW LOOK



777082 Previous Version



777083 Previous Version



777082 Updated Version



777083S Updated Version



Back-Up Alarms

Grommet Mount Tonal Back-Up Alarms

4" Mounting Grommets not included. See next page for mounting grommet options

Decibel Level(s)	Voltage	Current Rating	1PC/PK	10 PCS/PK
97dB	12-24VDC	0.6A	777095	777095B
107dB	12-24VDC	0.6A	777096	777096B
77-102dB (Self-Adjusting)	12-24VDC	0.6A	777094	777094B



Grommet Mount Tonal Back-Up Alarms

Industrial Back-Up Alarm (Tonal)

For Industrial-type Applications where SAE compliance is not required. Solid state electronics are totally encapsulated in epoxy, thus sealing alarms against moisture, vibration and corrosion. Polarity protected nylon housing. Units are steam-cleanable. Operating temperature: -40°C to 80°C. Universal Mounting. **IP67**. Wire Leads.

Decibel Level(s)	Voltage	Current Rating	1PC/PK	10 PCS/PK
97dB	10-80VDC	0.6A	*777074	*777074B



*777074

White Noise Back-Up Alarm

TECHSPAN® White Noise Back-Up Alarms conform to SAEJ994 safety standards and can be used for 12-80 Volt applications. Solid state electronics are totally encapsulated in epoxy thus sealing alarms against moisture, vibration & corrosion. Polarity protected Nylon Housing. Units are steam-cleanable. Operating temperature: -40°C to 80°C. Universal Mounting. **IP67**. Screw Terminals.

Decibel Level(s)	Voltage	Current Rating	1PC/PK ^{NEW} (Clamshell)	1PC/PK	10 PCS/PK
97dB	12-80VDC	0.8A	*777079S-DP	777079S	777079SB



777079S



777079 has been superseded by p# 777079S



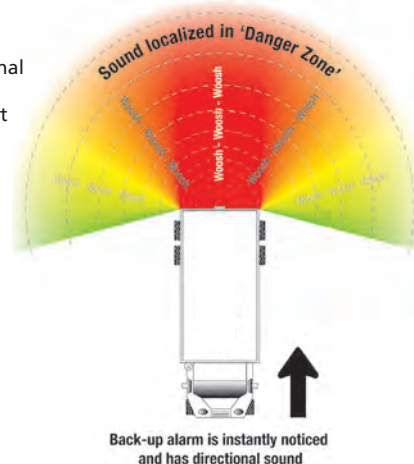
HOW WHITE NOISE BACK-UP ALARMS WORK

White Noise Back-Up Alarms provide the benefits of rich audible tones combined with the familiar sound of traditional warning alarms. They use a narrow array of frequencies resulting in a robust tone that is more easily tracked and yet universally recognized.

Sound dissipates quickly – No more noise pollution complaints!

WHY USE WHITE NOISE BACK-UP ALARMS?

- These Back-Up Alarms focus sound to the "Danger Zone" immediately behind the vehicle
- The directional warning sound makes them instantly noticeable to anyone (or anything in danger of colliding with the vehicle), all while decreasing or eliminating nuisance noise outside the "Danger Zone". Low environmental impact.
- Industry standard mounting holes



How Does It Work?

Scan the QR Code to view a demonstration video



Lighting & Safety Equipment

LED Snow Plow Lights

The heating function will be activated automatically when the temperature of the lens is below 40°C, indicated by a green LED. When the temperature of the front lens reaches 40°C, the heating function turns off automatically. Detachable Amber Turn Signal Lamp can be mounted in the Right, Middle or Left position.



Description	Part#
1 PC	725500
1 SET (2 PCS)	725500-PR

- 10-30VDC
- Aluminum Housing (Black)
- Glass Lens (Tempered)
- Stainless Steel Hardware
- IP68
- Made with EMC Technology
- 3/8" Stud
- Comes with Deutsch Connection & Installation Hardware
- SAE/DOT compliant
- Auto Lens Heater



Description	Lumens	Optimal Beam Distance	Current Draw
High Beam	3600	1600FT (487m)	3.0A @ 12V, 1.50A @ 24V
Low Beam	1800	980FT (298m)	1.7A @ 12V, 0.85A @ 24V
Heating Element	-	-	1.9A @ 12V



Features	Benefits
Auto Lens Heater	Melts snow off for better visibility (Increases Safety)
SAE/DOT compliant as a High & Low Beam Headlight, Turn Signal, Parking Lamp	Legal for "On-Road" Use
Detachable Turn Signal*	Can be mounted in the Right, Left or Middle position.
Universal Mounting*	Horizontal or Vertical Mount
Deutsch Connection (6-Pin)	Environmentally Sealed Connections
EMC Technology	Protection against RFI

Dual Lamp Harness for 725500-series LED Snow Plow Lights



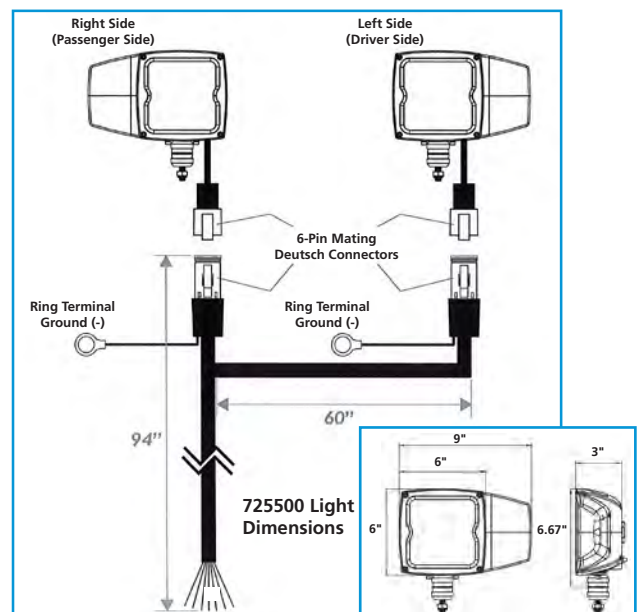
USE THE DUAL LAMP HARNESS WITH THE 725500 SERIES SNOW PLOW LIGHTS



725501

Deutsch Connection

Description	1 PC/PK
Dual Lamp Harness for LED Snow Plow Lights	725501



Handheld Lights

Handheld/Magnetic Warning & Utility Lamp

More than just a light—it's an essential portable tool for the professional garage and the open road that is built for durability.

Versatility in Every Environment: From deep engine bays to roadside emergencies and off-grid camping.

Precision Positioning: 180° rotatable handle with 51° forward and 51° backward tilt for required angle.

Intelligent Power Management: Integrated LCD digital display monitors battery life and output in real-time.

4 Modes to choose from:

- 1 Flashing (SOS)
- 2 High (100% Output)
- 3 Medium (50% Output)
- 4 Low (30% Output)

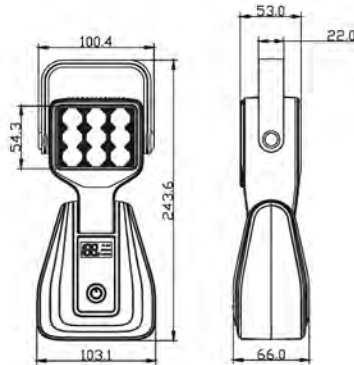
*High, Medium, and Low modes emit a 50° Flood Beam

The Ultimate Power Hub: Fast USB, USB-C recharging with a built-in Power Bank and Dual USB ports to charge other devices. Cable included

Magnetic Mounting: Industrial-grade magnetic base for secure, hands-free operation on any metal surface.

- 18 Watts (18 x 1W Diodes)
- Polycarbonate Housing (Metallic Grey)
- Back also functions as a built-in 'heat sink'
- Polycarbonate Lens
- IP65
- Made with EMC Technology (Electro Magnetic Compatibility), meaning protection against Radio Frequency Interference (RFI)
- Magnetic Mount

*723500 Portable Handheld/Magnetic Warning & Utility Lamp



Strong Magnetic Base



*723500



180° Rotating Handle



4 Modes to choose from



Scan the QR Code to view a demonstration video



51° Tilt forward & 51° Tilt backward



LCD Display



USB C + USB A – Charging ports



Industrial-grade Magnet



Tractor/Utility Lamps – LED

4-3/4" Square Off-Road Lamp with Heated Lens

The heating function will be activated automatically when the temperature of the lens is below 40°C, indicated by a green LED. When the temperature of the front lens reaches 40°C, the heating function turns off automatically.



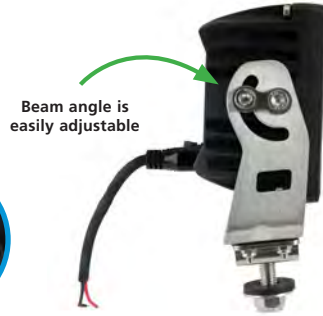
HEATED LENS



*725280



Deutsch Connection



Beam angle is easily adjustable

- 9-36VDC (1.7 to 3.6A @ 12V, 0.88 to 1.6A @ 24V)
- 5.2A @ 12V with Heater activated
- 43.2 Watts (36 x 1.2W Diodes)
- Die-Cast Aluminum Housing (Black)
- Back also functions as a built-in 'heat-sink'
- Tempered Glass Lens (Heated)
- Stainless Steel Hardware
- IP68, IP69K
- Made with EMC Technology (Electro Magnetic Compatibility) meaning protection against Radio Frequency Interference (RFI)
- Dimensions: 4.8" W x 4.92" H x 2.54" D
- Stud Size: 10mm
- Adjustable Bracket on the sides
- Pedestal Mount
- Built-in Deutsch Connection

Light Beam Pattern	Lumens	1 PC/PK
Flood Beam (45°)	5400	*725280



Tractor/Utility Lamps – LED

3-1/2" Round Tractor/Utility Lamp



- 9-110VDC (3.0A @ 12V)
- 36 x 1W Diodes
- Aluminum Alloy Housing (Black)
- Back also functions as a built-in 'heat-sink'
- Polycarbonate Lens
- Stainless Steel Hardware
- IP68
- Made with EMC Technology (Electro Magnetic Compatibility) meaning protection against Radio Frequency Interference (RFI)
- Dimensions: 3-5/8" Diameter x 2.05"D
- Stud Size: 8mm
- Pedestal Mount

Light Beam Pattern	Lumens	1 PC/PK
Flood Beam (75°)	2880	*725274



*725274

Deutsch Connection



Front/Angled View



Side View



Back View

3-1/2" Square Tractor/Utility Lamp



- 9-110VDC (3.0A @ 12V)
- 36 x 1W Diodes
- Aluminum Alloy Housing (Black)
- Back also functions as a built-in 'heat-sink'
- Polycarbonate Lens
- Stainless Steel Hardware
- IP68
- Made with EMC Technology (Electro Magnetic Compatibility) meaning protection against Radio Frequency Interference (RFI)
- Dimensions: 3.31" W x 3.31" H x 1-3/4"D
- Stud Size: 8mm
- Pedestal Mount

Light Beam Pattern	Lumens	1 PC/PK
Flood Beam (75°)	2880	*725275



*725275

Deutsch Connection



Front/Angled View



Side View



Back View

Tractor/Utility Lamps – LED (Extra Heavy-Duty Brackets)

The vibration-damping bracket works like a small shock absorber, keeping the light stable in harsh environments. It uses elastic parts—such as springs, rubber pads, or silicone blocks—to connect the light to the equipment frame. These elements absorb vibrations, reduce impact on internal components like LED boards and lenses, and help extend the lamp's life while maintaining stable performance.

3-1/2" Square Tractor/Utility Lamp (Extra Heavy-Duty)

Extreme Vibration-Resistant Bracket



- 9-32 VDC (3.33A @ 12V)
- 40 Watts (4 x 10W Diodes)
- Aluminum Alloy Housing
- Back also functions as a built-in 'heat-sink'
- Polycarbonate Lens
- Stainless Steel Hardware
- IP69K
- Made with EMC Technology (Electro Magnetic Compatibility), meaning protection against Radio Frequency Interference (RFI)
- Dimensions: 3.43"W x 3.03"H x 3.54"D
- Stud Size: 10mm
- Pedestal Mount

Light Beam Pattern	Lumens	1 PC/PK
Flood Beam (60°)	3600	*725277



4" Square Tractor/Utility Lamp (Extra Heavy-Duty)

Extreme Vibration-Resistant Bracket



- 9-32 VDC (5.0A @ 12V)
- 60 Watts (6 x 10W Diodes)
- Aluminum Alloy Housing
- Back also functions as a built-in 'heat-sink'
- Polycarbonate Lens
- Stainless Steel Hardware
- IP69K
- Made with EMC Technology (Electro Magnetic Compatibility), meaning protection against Radio Frequency Interference (RFI)
- Dimensions: 3.94"W x 3.35"H x 3.54"D
- Stud Size: 10mm
- Pedestal Mount

Light Beam Pattern	Lumens	1 PC/PK
Flood Beam (60°)	5400	*725278



Tractor/Utility Lamps – LED

Linear Tractor/Utility Lamp (Mini)

- 12-30VDC (0.51A @ 12V, 0.25A @ 24V)
- 4.5 Watts (3 x 1.5W Diodes)
- Thermal Plastic Housing (Black)
- Back also functions as a built-in 'heat sink'
- Polycarbonate Lens
- Stainless Steel Hardware
- IP67, IP69K
- Made with EMC Technology (Electro Magnetic Compatibility), meaning protection against Radio Frequency Interference (RFI)
- Dimensions: 2.27"W x 1.28"H x 0.94"D
- Stud Size: 6mm
- Pedestal Mount

Light Beam Pattern	Lumens	1 PC/PK
Flood Beam (30°)	600	*725273



600 Lumens

With 2.27" x 1.28" x 0.94" Dimensions, This Lamp Can Be Used in The Most Confined Areas



*725273



LED

Mini MEGALUMEN™



Back View

Rectangular Off-Road Lamp with Curved/Angled Lens

- 9-36VDC (4.2A @ 12V, 2.1A @ 24V)
- 60 Watts (6 x 10W Diodes)
- Die-Cast Aluminum Housing (Black)
- Back also functions as a built-in 'heat sink'
- Curved (Angled) Polycarbonate Lens
- Stainless Steel Hardware
- IP68, IP69K
- Made with EMC Technology (Electro Magnetic Compatibility) meaning protection against Radio Frequency Interference (RFI)
- Dimensions: 5.39"W x 3.54"H x 2.66"D
- Stud Size: 8mm
- Pedestal Mount
- Built-in Deutsch Connection

Light Beam Pattern	Lumens	1 PC/PK
Wide Flood Beam (120°)	5600	*725276



5600 Lumens



LED



*725276



Front/Angled View



Back View



Deutsch Connection

Lighting & Safety Equipment

4" Round Heated Tail Lamps (7-Diodes)

HEATED LENS  **LED**

Thermostat-controlled heating element ensures constant level of heat without overheating

- 12VDC
- Polycarbonate Base
- Polycarbonate Lens
- 4-1/4" Dia. x 3/4"H
- Mounting Clearance: 1-5/8" Depth
- Universal Grommet, Bracket & Flange Mount



*735024



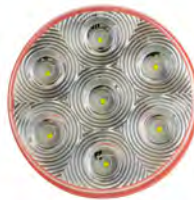
*735023



Back View



Side View



*735025

Colour	Function	Current	SAE	1 PC/PK
● Amber	Turn Signal	0.8A	I6	*735024
● Red	Stop / Turn / Tail	0.8A / 0.3A	S27I6(3)T	*735023
○ White	Back-Up	0.4A	2R	*735025

Oval Heated Tail Lamps (6-Diodes)

HEATED LENS  **LED**

Thermostat-controlled heating element ensures constant level of heat without overheating

- 12VDC
- Polycarbonate Base
- Polycarbonate Lens
- 6-1/2" L x 2-1/4" W x 1" H
- Mounting Clearance: 1-1/2" Depth
- Universal Grommet, Bracket & Flange Mount



*735028



*735026



*735029



Back View



Side View

Colour	Function	Current	SAE	1 PC/PK
● Amber	Turn Signal	0.8A	I6	*735028
● Red	Stop / Turn / Tail	0.5A / 0.2A	S27I6(3)T	*735026
○ White	Back-Up	0.6A	2R	*735029

Lighting & Safety Equipment

4" Round LED Sealed Lamps (12-24VDC)

- 12-24VDC
- Lamp Dimensions: 4-1/4" Diameter x 7/8"H
- Mounting Clearance: 1-7/8" Depth
- Emits a Star-Shaped Light Pattern When Lit
- Requires 764076 or 764109 Plug/Pigtail

Part#	Colour	Function	SAE	Qty/Pkg
735010	● Red	Stop/Turn/Tail	S2T2I6	1 PC



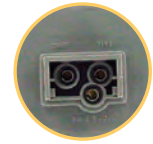
735010



Side View



Back View



Female Receptacle

LED Double Face Lamp (Fender Mount) – Round

- 12VDC (0.04 to 0.4A @ 12V)
- Zinc Die-Cast Chrome Housing
- Polycarbonate Lens
- 1/2" Stud Size
- Dimensions: 4-7/8"H x 4-1/4" Dia. x 1-7/8"D

Colour	Diodes	Function	SAE	Part#
● Amber / ● Amber	48 Amber Diodes	Turn Signal, Park	I6P	*706200
● Amber / ● Red	24 Amber Diodes, 24 Red Diodes	Turn Signal / Park / Tail	22T16P	706201

*NEW



*706200



706201



Dump Body-Up Warning Indicator Kits

Dual Warning – Buzzer & Red LED Pilot Light

- Both Kits contain **Dual Warning Indicators (70dB Buzzer & Red LED Pilot Light)** to warn drivers of raised dump bodies, reducing the chances of overhead collisions with infrastructure.
- Mounts to the frame of the vehicle to warn the driver from a proximity when the dump body is raised
- IP68 rated, the dual indicator has a working temperature range of -40°C to 85°C.
- Made with 304-Stainless-Steel housing for superior corrosion resistance and durability
- Kits come complete with a dual indicating device (70dB Buzzer *and* a Red LED), user choice of style of switch (pre-installed on a mounting bracket with a pre-assembled Weather-Pack Connector), body-up switch stop set, a 20FT wire harness (also with a pre-assembled Weather-Pack Connector) in addition to hardware and accessories for **quick and easy installation**



Dump Body-Up Dual Warning Indicator Kits

2 Kits from which to choose!

Option	Kit Part#
Plunger Switch with Weather-Pack Connector	*765555
Compact-Style Switch with Weather-Pack Connector	*765554

Both Kits are supplied ready-to-connect and install

Replacement Parts for Dump Body-Up Warning Indicator Kits

Description	Qty/Pkg	Part#
Dual Indicator (70dB Buzzer & Red Pilot LED) 2 x 8-32 Screws, Non-Grounded 12VDC (0.2A). Mounting Stem: 17/32" L x 11/16" Diameter	1 PC	*777055
Replacement Plunger Switch with Weather-Pack Connector. 12VDC (10A) Normally On. Requires 7/8" Mounting Hole. (Mounting bracket not included on replacement switch).	1 PC	*765553
Compact-Style Switch with Mounting Bracket. 12-24VDC (5A) Normally On. Weather Pack Connector not included on replacement switch).	1 PC	*765552



*765555 Dump Body-Up Dual Warning Indicator Kit (with Plunger Switch)



*765554 Dump Body-Up Dual Warning Indicator Kit (Compact-Style Switch)

Plugs & Sockets

Industrial Grade (Black)



Works with SJ, SJE, SJT, S Cord types. Robust PVC & TPR construction ensures longevity, even in the toughest environments. Solid brass prongs provide excellent conductivity. 2-Pole, 3-Wire.

125VAC, 15A

Type	Configuration	1 PC/PK	10 PCS/PK
Male Plug	NEMA 5-15P	769758	769758B
Female Socket	NEMA 5-15R	769759	769759B



Industrial Grade (Yellow)



Works with SJ, SJE, SJT, S Cord types. Solid brass prongs provide excellent conductivity. 2-Pole, 3-Wire.

125VAC, 15A

Type	Configuration	1 PC/PK	10 PCS/PK
Male Plug	NEMA 5-15P	*769764	*769764B
Female Socket	NEMA 5-15R	*769765	*769765B



'Hippo' Hinge-Style (Yellow)



Works with SJ, SJE, SJT, S Cord types. Solid brass prongs provide excellent conductivity. 2-Pole, 3-Wire.

125VAC, 15A

Type	Configuration	1 PC/PK	10 PCS/PK
Male Plug	NEMA 5-15P	*769768	*769768B
Female Socket	NEMA 5-15R	*769767	*769767B



ARCTICORDS

Extension Cords – Cold Weather Rated – Lighted

Now Available in 10 Footers!

FLEXIBLE TO -50°C (-58°F)
 CORD END LIGHTS UP WHEN PLUGGED IN



Single-Tap



Triple Tap

- 125V
- Water-Resistant SJEOW Jacket
- Flexible to -50°C (-58°F)
- Temperature Rating -50°C (-58°F) to 105°C (221°F)
- OSHA compliant
- Lighted/Grounded Receptacle

Single-Tap Extension Cords

Cord Length	Cord Gauge	Electrical Ratings		Part #
		Current	Wattage	
10FT (3.00m)	16/3	13A	1625	*769744
25FT (7.62m)	16/3	13A	1625	769751
50FT (15.24m)	16/3	13A	1625	769752
100FT (30.48m)	16/3	10A	1250	769745
10FT (3.00m)	14/3	15A	1875	*769743
25FT (7.62m)	14/3	15A	1875	769753
50FT (15.24m)	14/3	15A	1875	769754
100FT (30.48m)	14/3	13A	1625	769746
10FT (3.00m)	12/3	15A	1875	*769741
25FT (7.62m)	12/3	15A	1875	769755
50FT (15.24m)	12/3	15A	1875	769756
100FT (30.48m)	12/3	15A	1875	769757

Triple-Tap Extension Cords

Cord Length	Cord Gauge	Electrical Ratings		Part #
		Current	Wattage	
2FT (0.61m)	12/3	15A	1875	769747
25FT (7.62m)	12/3	15A	1875	769748
50FT (15.24m)	12/3	15A	1875	769749
100FT (30.48m)	12/3	15A	1875	769750

ARCTIC TIE™

Arctic Cable Ties

Techspan's Arctic Cable Ties are designed to perform in adverse weather conditions. The special polymer additive keeps the cable ties flexible and allows its installation without breakage in extreme temperatures. UV additive provides superior sunlight resistance. Arctic Cable Ties also withstand snow, environmental pollution, acidity in the air and UV Light. Distinctive "ICE-BLUE" Colour. North American made.

SPECIAL POLYMER FOR WINTER PROTECTION ❄️

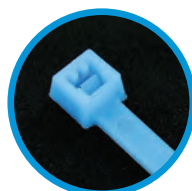
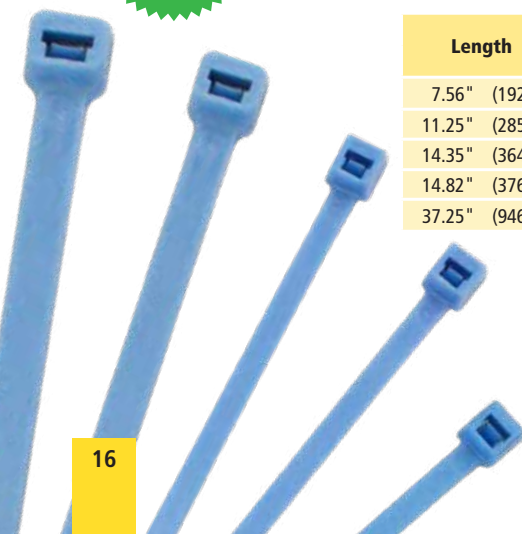
UV ADDITIVE FOR SUMMER SUNLIGHT PROTECTION ☀️

37" ICE Ties will be available July 2026

- Superior Performance against Extreme Cold & UV Exposure
- Excellent Sunlight, UV & Heat Resistance
- Higher Tensile Strength
- Distinctive "ICE BLUE" Colour
- Arctic Cable Ties are rated at -40°C / -40°F to a maximum of 85°C / 185°F per ISO180
- Minimum Installation Temperature: -40°C / -40°F
- Made in the USA

ICE BLUE

Length	Loop Tensile Strength	Bundle Diameter		Width	50 PCS/PK	100 PCS/PK
		Min.	Max.			
7.56" (192mm)	80LB (355N)	0.12" (3.18mm)	1.87" (47.62mm)	0.18" (4.57mm)	-	ICE-780C
11.25" (285mm)	80LB (355N)	0.12" (3.18mm)	3.06" (77.77mm)	0.18" (4.57mm)	-	ICE-1180C
14.35" (364mm)	80LB (355N)	0.12" (3.18mm)	4.00" (101.60mm)	0.18" (4.57mm)	-	ICE-1480C
14.82" (376mm)	160LB (711N)	0.19" (4.75mm)	4.06" (103.12mm)	0.30" (7.62mm)	-	ICE-14160C
37.25" (946mm)	200LB (890N)	1.50" (38.1mm)	11.00" (279.40mm)	0.34" (8.63mm)	*ICE-37200L	-



WHY THE "ICE-BLUE" COLOUR?

- Installer/End User will know that a genuine Cold Weather Arctic Tie is being used

Cable Ties

Anchor-Lock Cable Ties

Known as "Fir Tree" Cable Ties in the marketplace, these cable ties are expertly designed for easy insertion and secure mounting across a wide variety of materials, including metal, cast iron, plastic, and wood. Featuring an extended "Fir Tree"-shaped mount, these cable ties provide superior holding strength, while their UV, heat-stabilized construction ensures reliability in high-temperature environments, withstanding temperatures as high as 110°C (230°F). Additionally, the unique design grips firmly inside the hole for a secure fit in any application.

Panel thickness range: 0.031" to 0.551" (0.80 to 14.00mm)
Hole diameter range: 0.23" to 0.27" (5.97 to 7.00mm)
Fir Tree Length: 0.79" (20.24mm)

Approx. Length	Strength	Colour	Max. Bundle Dia.	Width	Thickness	25 PCS/PK	100 PCS/PK
7.59" (192.88mm)	50LB	UV Black	1.62" (41.14mm)	0.17" (4.47mm)	0.052" (1.32mm)	*662972	*762972



*662972



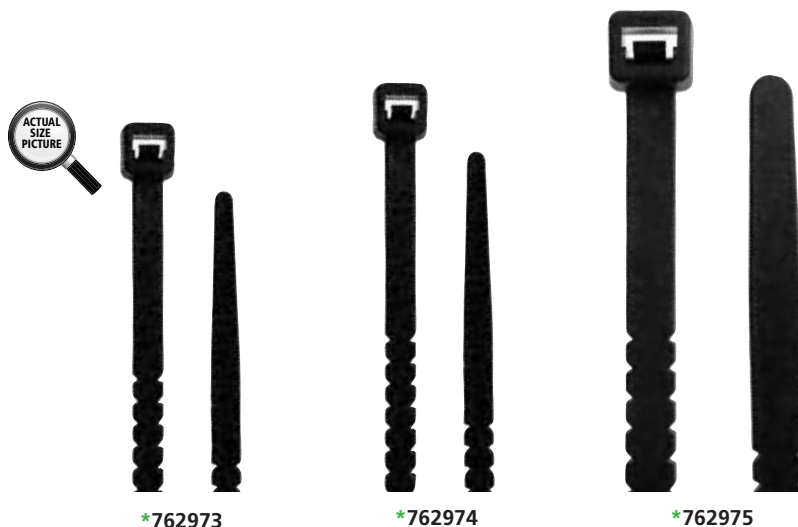
Twist & Rip Cable Ties

"Twist & Rip" Cable Ties offer a faster, cleaner and convenient way to bundle. Made from high-performance Nylon 6/6, these cable ties provide sufficient strength and long-lasting durability that users can trust. The innovative tear-away, or "Rip" feature streamlines installation, delivering a tidy, burr-free finish in seconds. Simply **Bundle, Zip, Twist then Rip** away the excess – no cutting tools, no mess, and no wasted time.

Approx. Length	Strength	Colour	Max. Bundle Dia.	Width	Thickness	100 PCS/PK
8" (200mm)	50LB	UV Black	1.90" (47mm)	0.18" (4.6mm)	0.058" (1.47mm)	*762973
11.9" (300mm)	50LB	UV Black	3.00" (76mm)	0.18" (4.6mm)	0.058" (1.47mm)	*762974
14.1" (360mm)	120LB	UV Black	3.60" (92mm)	0.31" (8.0mm)	0.080" (2.00mm)	*762975



Easily twist by hand



Scan the QR Code to view a demonstration video

Cable Ties & Cable Tie Accessories

Coloured Cable Tie Assortment



*762769 This assortment contains 50pcs of coloured 7.5" 50LB Cable Ties. 10pcs each of Blue, Green, Orange, Red and Yellow.



*762769

Heavy-Duty Cable Tie Screw Mounts



Heavy-duty screw mounts are purpose-built to deliver exceptional strength and durability for securing large or heavy cable bundles in demanding applications. Designed for use with heavy-duty cable ties, they provide maximum support and long-term reliability, while the **impact-resistant, heat-stabilized UV black nylon** construction ensures superior performance in harsh environments. The slanted slot design allows cable ties to be easily inserted over bolts, simplifying installation, and enables quick addition or removal of bundled items without removing the mount itself. Engineered to withstand repeated high impacts, vibration, extreme temperatures, and weather exposure, these screw mounts are an ideal solution for heavy equipment OEM and MRO industries where rugged performance is essential. Contact Techspan if you require these mounts for 175LB or 250LB grade Cable Ties.



*762747



Use with Cable Tie Series	Screw Size	Slot Width	Dimensions	25 PCS/PK	100 PCS/PK
120LB	1/4"	0.32"	1.40" L x 0.73" W x 0.68" H	*662747	*762747

Nylon Terminal Kit, Battery Cable

Solderless Terminal Assortment (Nylon Insulated) – ‘Flip’ Kit



***763027** This assortment contains 690 pieces of the most popular Professional Series Nylon Insulated Solderless Terminals. Flip Kits are handy both in the shop and the service vehicle. They are portable, organized, and will fit into most slider storage racks. The 32 adjustable compartments allow you to customize your own kit... if you want! Dimensions: 18"W x 12"L x 3"H. Plastic storage tray with carrying handle.

Kit Contents:

Part#	Description	Qty	Part#	Deutsch #	Qty
761291	Closed End Conn Nylon 22-14GA	10 pcs	761486	Ring Nylon 16-14GA #6	10 pcs
761292	Closed End Conn Nylon 16-10GA	50 pcs	761487	Ring Nylon 16-14GA #8	10 pcs
761305	Closed End Conn Nylon 8GA	10 pcs	761488	Ring Nylon 16-14GA #10	50 pcs
761497	Butt Splice Nylon 22-18GA	25 pcs	761502	Ring Nylon 12-10GA #10	10 pcs
761498	Butt Splice Nylon 16-14GA	10 pcs	761489	Ring Nylon 16-14GA 1/4"	50 pcs
761513	Butt Splice Nylon 12-10GA	10 pcs	761503	Ring Nylon 12-10GA 1/4"	10 pcs
761320	Slide Full Male Nylon 22-18GA 3/16"	10 pcs	761501	Ring Nylon 12-10GA 5/16"	10 pcs
761322	Slide Full Male Nylon 16-14GA 3/16"	10 pcs	761505	Ring Nylon 12-10GA 1/2"	10 pcs
761353	Slide Full Male Nylon 22-18GA 1/4"	10 pcs	761490	Ring Nylon 16-14GA 3/8"	10 pcs
761358	Slide Full Male Nylon 16-14GA 1/4"	50 pcs	761504	Ring Nylon 12-10GA 3/8"	10 pcs
761621	Slide Full Male Nylon 12-10GA 1/4"	25 pcs	761444	Slide Fem Nylon 16-14GA 1/4"	10 pcs
761354	Slide Full Fem Nylon 22-18GA 1/4"	50 pcs	761445	Slide Male Nylon 16-14GA 1/4"	10 pcs
761357	Slide Full Fem Nylon 16-14GA 1/4"	50 pcs	762407	Slide Fem Flag Full Nylon 22-18GA 1/4"	10 pcs
761623	Slide Full Fem Nylon 12-10GA 1/4"	50 pcs	762408	Slide Fem Flag Full Nylon 16-14GA 1/4"	50 pcs
761321	Slide Full Fem Nylon 22-18GA 3/16"	25 pcs	762409	Slide Fem Flag Full Nylon 12-10GA 1/4"	10 pcs
761323	Slide Full Fem Nylon 16-14GA 3/16"	25 pcs			



***763027 690 PCS Solderless Terminal Assortment (Nylon Insulated) – ‘Flip’ Kit**

Battery Cable – Rubber Jacketed

- 100% copper conductors, finely stranded
- Black SGR Rubber Jacket (Extra Flexible)
- SAE specification J1127
- For applications up to 60 Volts
- Oil & acid resistant
- Excellent flame retardant characteristics
- Temperature Rating: -40°C to 90°C (-40°F to 194°F)



Black

GA	O.D.	Stranding	25' (7.6m) Spool	100' (30.5m) Spool
4	.340"	7 x 27 x .014"	*569265Q	*569265C
2	.420"	19 x 16 x .014"	*569262Q	*569262C
1	.490"	19 x 21 x .014"	*569260Q	*569260C
1/0	.525"	19 x 26 x .014"	*569261Q	*569261C
2/0	.570"	19 x 21 x .018"	*569263Q	*569263C



Tariff-Free



Rubber Jacketed Battery Cable – Black



WHY CHOOSE RUBBER JACKETED BATTERY CABLE?

- ✓ Better Acid & Oil Resistance
- ✓ Extra Flexible
- ✓ Extra Durable

Primary Wire

GPT Wire

Techspan® GPT (General Purpose Thermoplastic) primary single conductor wire is manufactured using 100% pure copper conductors with a PVC compound that resists chemical, abrasion and heat, up to 80°C (176°F). Jacket surface is smooth enough for easy, clean wire stripping. Ideal for automotive, truck, trailers, tractor, boats, and other point-to-point, low voltage applications (up to 60 Volts). Type GPT to SAE specification J1128 meets the standard for OEM or replacement applications for general purpose requirements. In chart headings below, O.D. means Outside Diameter.



Drums

GA	O.D.	Stranding	Qty in Drum				
				Black	Green	Red	White
18	.091"	16 x 30 x .010"	40,000'	768200-40K	768203-40K	768205-40K	768206-40K
16	.104"	19 x 29 x .011"	30,000'	768210-30K	768213-30K	768215-30K	768216-30K
14	.119"	19 x 27 x .014"	20,000'	768220-20K	768223-20K	768225-20K	768226-20K
12	.145"	19 x 25 x .018"	15,000'	768230-15K	768233-15K	768235-15K	768236-15K



Black



Green



Red



White



GPT Wire in Drums

Multi-Conductor Cable

Flat Cable

- General purpose, low tension GPT type cable
- Plastic insulated conductors are covered with a PVC insulated jacket
- For use in applications up to 60 Volts
- SAE specification J1128



Black Jacketed Flat Cable

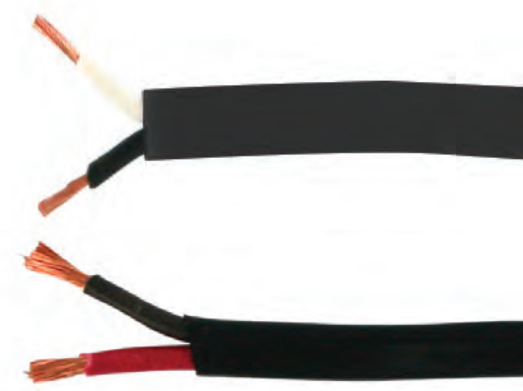
Plastic insulated conductors are additionally insulated with an outer Black PVC Jacket, allowing for use in temperatures between -40°C to 80°C (-40°F to 176°F)



2 Conductor

Gauge/Conductors	Stranding	100' (30.5m) Spool	1000' (305m) Spool
2/16 (Black & White)	19 x 29 x .011"	*568430	*568435
2/14 (Black & White)	19 x 27 x .014"	*568431	*568436
2/12 (Black & White)	19 x 25 x .017"	*568432	*568437
2/10 (Brown & Red)	19 x 23 x .023"	768569	768569M

*NEW
*NEW
*NEW



2 Conductor, Black Jacketed Flat Cable

Grey Jacketed Flat Cable

Plastic insulated conductors are additionally insulated with an outer Grey PVC Jacket, allowing for use in temperatures between -40°C to 105°C (-40°F to 221°F)



2 Conductor

Gauge/Conductors	Stranding	50' (15.2m) Spool	100' (30.5m) Spool	1000' (305m) Spool
2/16 (Black & White)	19 x 29 x .011"	*668430	768430	768435
2/14 (Black & White)	19 x 27 x .014"	*668431	768431	768436
2/12 (Black & White)	19 x 25 x .017"	-	768432	768437

*NEW



2 Conductor, Grey Jacketed Flat Cable

3 Conductor

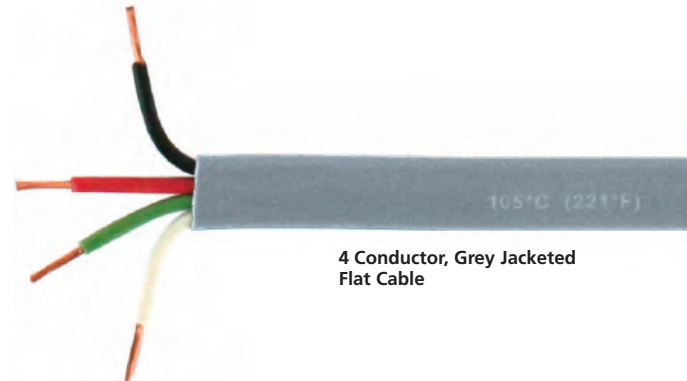
Gauge/Conductors	Stranding	100' (30.5m) Spool	1000' (305m) Spool
3/16 (Black, Green & White)	19 x 29 x .011"	768570	768575
3/14 (Black, Green & White)	19 x 27 x .014"	768571	768576



3 Conductor, Grey Jacketed Flat Cable

4 Conductor

Gauge/Conductors	Stranding	100' (30.5m) Spool	1000' (305m) Spool
4/16 (Black, Green, Red & White)	19 x 29 x .011"	768580	768585
4/14 (Black, Green, Red & White)	19 x 27 x .014"	768581	768586



4 Conductor, Grey Jacketed Flat Cable

Merchandising/Storing

Wire Spool Racks

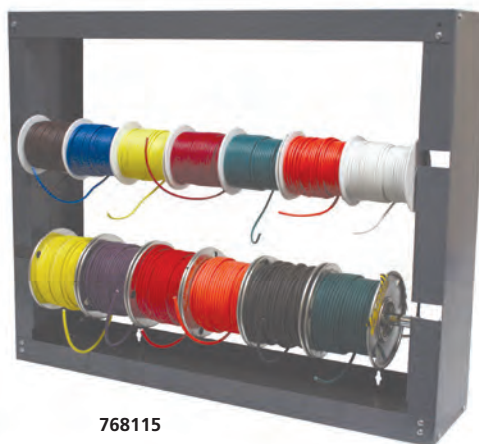
Wire Spool Racks allow users to store different sized reels on the same rod to facilitate dispensing. Specifications: rolled steel construction with grey powder coated finish and polished steel rods that are 5/8" in diameter. Will hold spools up to 10" in diameter. Punched side panels allow for quick changing of spools. Mounting holes are provided for wall mounting hardware included. Easy to assemble. Wire shown are for illustration purposes only. Wire not included.

# of Rows	Dimensions	Part#
1	26-1/8"W x 6"D x 10-3/8"H	768114
2	26-1/8"W x 6"D x 17-7/8"H	768115
4	26-1/8"W x 6"D x 37-1/8"H	768116

768114 has a carrying handle attached to the top of the unit



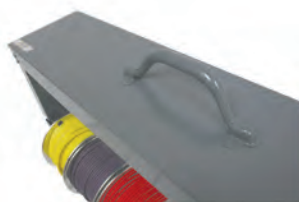
768116



768115



768114



Wire Dispenser

*768118 Easily mounts on to a wall, tool carts or tool chests such as the widely used Mac Tools® and Snap-On® branded tool accessories. Dimensions: 25-1/2"W x 5"H x 5-3/4"D.



*768118



Wire is shown for illustrative purposes only. Wire not included.

Wiring Tools

Wire Cutter (Extra Comfort Grip)

- *669774** Rubber insulated handles for a more comfortable grip. Features a spring-loaded return with a safety latch for added protection. Cleanly cuts 28GA to 1GA Wire & Cable. Approximate length: 7.25" (184.15mm)



*669774

4-In-1 Wiring Tool (Compact)

- *669776** Rubber insulated handles for a more comfortable grip. In addition to the side cutters found on one edge, this multi-functional wiring tool can be used for crimping, cutting and stripping 22-10GA Wire. Its compact size allows for use in cramped areas. Approximate length: 7" (177.80mm)



*669776

Industrial-Duty Circuit Tester

- 764700** Tests 6-24VDC systems. Features heavy-duty rubber coated lead wire, a heavy-duty ground clip and a robust handle. Dimensions: Tool (7-1/4" or 184.15mm), Cord (5FT or 1.5m)



764700

Medium-Duty Circuit Tester

- *564700** Tests 6-12VDC systems. Features an insulated mini "Alligator"-style clip for positive contact and a sharp point to pierce and penetrate into 6-12VDC wiring. Dimensions: Tool (8" or 203mm), Cord (44" or 1.12m)



*564700

Heat Shrink Tubing & Heat Guns

Dual Wall, Adhesive-Lined Heat Shrink



Dual Wall, Adhesive/Lined Heat Shrink Tubing
 – 4FT Lengths

- 3:1 shrink ratio
- Made of adhesive-lined, cross-linked polyolefin that is flexible and easy to work with
- Adhesive inner wall provides superior sealing against water, moisture and other contaminants
- Excellent for coverage of irregularly shaped connectors and components
- Will bond to plastics, rubber, neoprene, steel and polyethylene
- Provides added strain relief and sealing of terminals and connectors
- Electrical insulation of simple in-line splices
- Abrasion-resistant for tubes and pipes
- Can also be used to repair damaged wire harnesses
- Operating temperature: -55°C to +125°C
- Minimum shrink temperature: 120°C
- Flame retardant

Orange (To Service the EV Market)

Expanded ID (Trade Size)	Recovered/Shrunk ID (Approx)	Use with Wire Size (Approx)	Length	Colour	Pkg Qty	Pkg Type	Part#
1/2"	3/16"	8-2GA	4FT	Orange	25 pcs	Box	*769784B
3/4"	1/4"	4-2/0GA	4FT	Orange	10 pcs	Box	*769785B

Heat Guns (Flameless)

Techspan now has 2 Electrical Heat Guns from which to choose. With a 120VAC power source, this lightweight device is incredibly easy to use, making it perfect for both professionals and DIY enthusiasts. Designed for convenience and performance. The lock-on feature ensures continuous operation, while the ergonomically designed housing provides a comfortable grip for extended use. Enjoy quick heat-up times and quiet operation, allowing you to work efficiently without unnecessary noise. The 6FT rubber cord offers flexibility and mobility, making it ideal for various work environments. Compact yet powerful, these heat guns measure approximately 10" x 3-3/8" x 7-7/8", giving you the perfect balance of size and functionality. Use with optional heat deflector/baffle found below.



*769888HD

9 Settings *769888HD

With the easy-to-use dial, you can select temperatures between 50°C and 600°C (122°F to 1112°F). 3 airflow settings with a maximum output of 1500 Watts. The optional temperature scanner ensures accurate readings, while the fine dust filter helps maintain optimal functionality by trapping debris. Plus, the convenient hanging ring allows for easy storage and access when you need it most.

Dial Switch allows users to select temperatures between 50°C & 600°C

Switch allows users to select from 3 airflow settings

2 Settings

769888 2 Heat Settings; High (500°C or 950°F) & Low (300°C or 575°F).
 Maximum Output: 1300 Watts



769888

769891

Heat Deflector/Baffle Attachment for Heat Guns

769891 Heat Deflector/Baffle Attachment for **769888HD** & **769888**

Fabric Tape & Battery Accessories

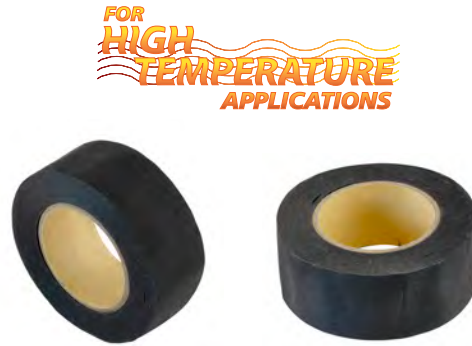
Fabric Harness Tape

Our Fabric Harness Tape is designed to meet the demands of various mechanical and electrical applications. It serves as a dual-purpose tool, providing excellent insulation while also offering a protective outer jacket for wrapping wire harnesses. Whether you're working on a complex electrical project or need a trusted material for mechanical applications, our Fabric Harness Tape is the perfect choice for ensuring durability, safety, and efficiency. Sold individually by the roll.



*669788

*669788 34'L x 1"W x 11 MIL. Operating Temperature: -40°C to 105°C



*669789

*669789 52'L x 1"W x 6 MIL. Operating Temperature: -40°C to 149°C

Side Post Extenders

Brass Bolt. 1-3/4" L x 3/8" Stud. Threading: 24 (Left), 16 (Right)

1 PC/PK	10 PCS/PK
*692698	*762698



*692698



Battery Post Shims

Universal sizing allows for insertion over worn out Battery Posts. These shims are made out of lead.

1 PC/PK	10 PCS/PK
*692699	*762699



*692699



Flag to Post Adapter

*761163 Coverts most Group U1 Flag Terminal Batteries to Post Terminal. 1 PC/PK



*761163



Switches

Shielded Rectangular Rocker Switch (Full Size)

Designed for universal applications, this Rocker Switch is made with a **shielded snap-in nylon bezel to prevent accidental activation or deactivation**, while the nylon actuator ensures long-lasting performance. The built-in red LED pilot light provides clear visibility by illuminating whenever the switch is in the ON position. 1/4" Blade Terminals for quick and easy connections.

Operating Voltage range: 12–24VDC range (16A @ 14V & 10A @ 28V)

S.P.S.T. (Single Pole – Single Throw)

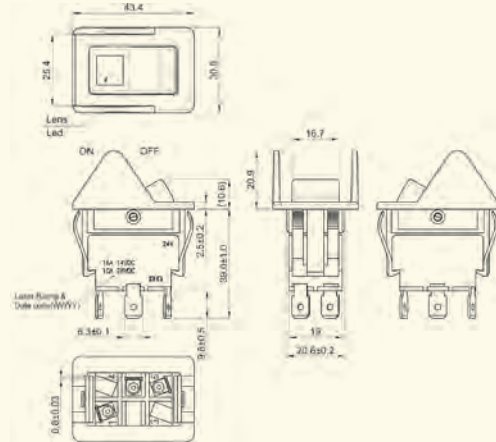
Colour	Circuitry	Terminal Type	Actuator	1 PC/PK	25 PCS/PK
Red	ON-OFF	3 Blades	● Black with Red Pilot Light	*TBA	*TBA



**SHIELDED
SNAP-IN BEZEL
PREVENTS
ACCIDENTAL
ACTUATION**



*TBA



In Development

Switches

6-Terminal Toggle Switch Harness

This Toggle Switch Harness offers a simple and efficient solution for installing 6-Terminal Toggle Switches without the hassle of connecting or crimping wires. The pre-wired base is designed for quick and secure installation, easily snapping into place on any .250", 6-terminal, D.P.D.T. toggle switch.

*765078 7" 16GA Red Wires



*765078

Toggle Switch Handle Extensions

Made of rigid plastic, these extensions snap over Bat or Ball-handled Toggle switches, extending these handles to a length of 1-7/8" (47.6mm). These handles also serve as a means to colour-code Toggle Switches. Toggle Switch not included.

Colour	Previous P#	1 PC/PK	10 PCS/PK
Black	81273	765079	765079B
Red	81271	765080	765080B
Yellow	81272	765081	765081B

We have changed the part numbering of these Toggle Switch extensions, allowing us to supply these with a consistent package quantity and improved packaging. Previous and New Part Numbers are supplied in the chart, above.

*765082 A combination of one of each of the 3 colours in one package (Black, Red, Yellow)



765079

765080



*765082

Switches

AVAILABLE
**APRIL
 2026**



*765231

500A Battery Master Disconnect Switch

***NEW**

Available Switch Only, Mounting Bracket Only & Switch & Mounting Bracket with Lock-Out

- 32VDC Maximum
- Aluminum Housing
- Lock-Out Option on Lever
- Ignition-Protected
- S.P.S.T. (OFF-ON)
- IP66

Current Rating (Continuous)	Overload Capacity	Terminals/Studs		Switch Only Part#	Switch & Mounting Bracket Part #
		Size	Type		
500A @ 12V 300A @ 24V	2000A (5 Seconds)	2 x 10mm 2 x 5mm	Silver-Plated Copper	*765231	*765230

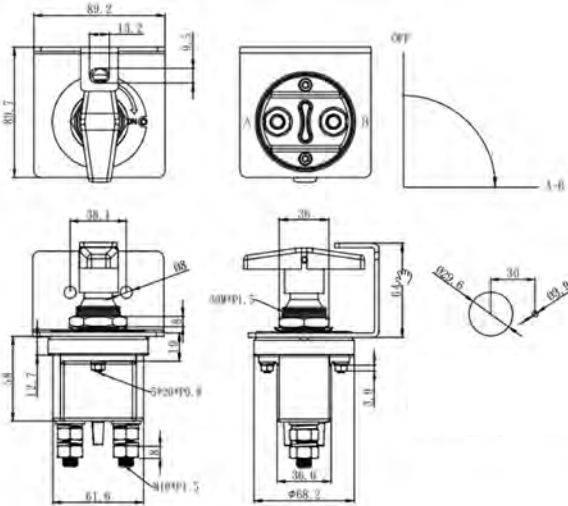
*765232 Metallic Mounting Bracket with Lock-Out (Lock and switch not included)



*765230



*765232



AVAILABLE
**APRIL
 2026**



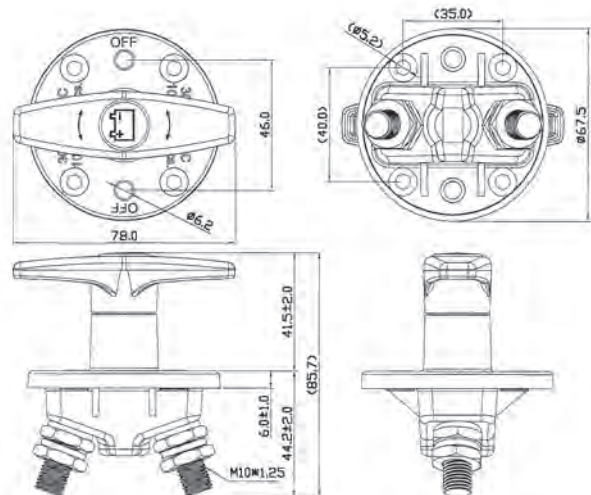
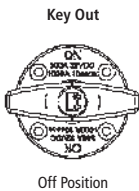
*765233

Heavy-Duty Battery Master Disconnect Switch

***NEW**

- 32VDC Maximum
- Ignition-Protected
- Non-Metallic Housing
- S.P.S.T. (OFF-ON)
- Heavy-Duty Lever
- Actuator is removable in the OFF position
- IP67

Current Rating			Terminals/Studs		Part#
Continuous	Intermittent	Crank	Size	Type	
300A	450A	1000A (10 Seconds)	2 x 10mm 2 x 6mm	Copper Brass	*765233



Switches

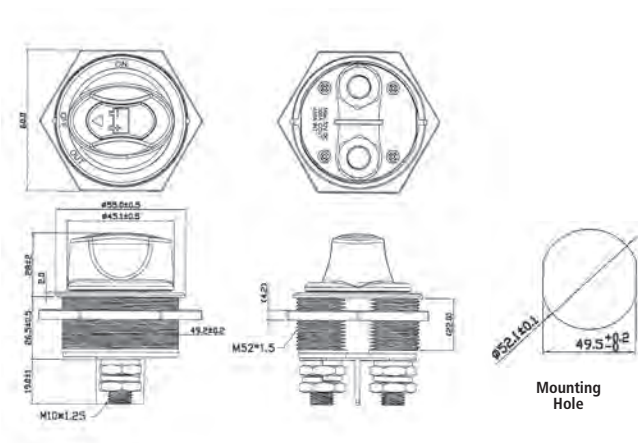
Battery Master Disconnect Switches (Mini)

- 32VDC Maximum
- Non-Metallic Housing
- Ignition-Protected
- S.P.S.T. (OFF-ON)
- Actuator is removeable in the OFF position

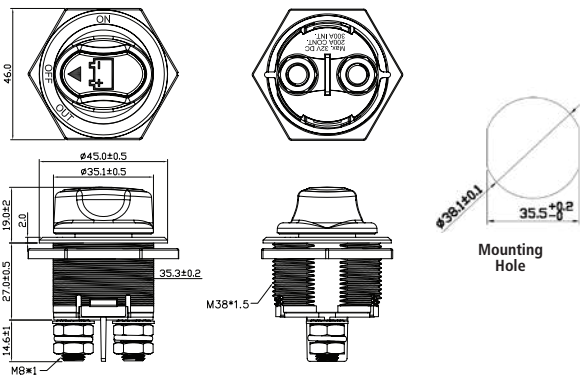
AVAILABLE
APRIL
2026

***NEW**

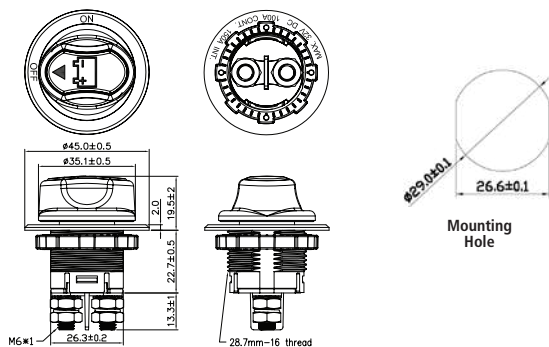
Current Rating			Terminals/Studs		Part#
Continuous	Intermittent	Crank	Size	Type	
300A	450A	1000A (30 Seconds)	2 x 10mm	Copper	*765234
200A	300A	1000A (5 Seconds)	2 x 8mm	Brass	*765235
100A	150A	500A (5 Seconds)	2 x 6mm	Brass	*765236



*765234



*765235



*765236

Rotary Switch Set

This set includes a high power (50A) 3-Position Rotary Switch, Indicator Light, a 40A Thermal Circuit Breaker and a mounting bracket. Also included are a 50A Circuit Breaker, a set of 6GA Tin-Plated Copper Lugs (10 x 6GA Lugs with a 1/4" hole & 2 x 6GA Lugs with a 1/2" hole), hardware and accessories to facilitate most installations.



Ideal for higher amp Forward/Reverse, Up/Down, Cover/Uncover applications such as hoists, tailgates, tarps, winches and windlasses. Left (Reverse), Right (Forward)

Rotary Switch set

Description	Kit Part#
3-Position Rotary Switch set	*765550

Replacement Parts & Accessories for Rotary Switch Set

Description	Qty/Pkg	Part#
Rotary Switch – 50A @ 12VDC. D.P.D.T., 3-Positions (Momentary On-Off-Momentary On). Silver-plated contacts. 1/2" – 20 thread mounting stem. 4 x #10-32 Screw Terminals (3/8") with lock washers. Plated Steel housing	1 PC	*765551
40A Circuit Breaker (Thermal, Push Button)	1 PC	766535
50A Circuit Breaker (Stud Terminal, Auto Reset)	1 PC	766689
Red Indicator/Pilot Light, 12VDC (50MA). Requires 1/2" Mounting Hole. 1.34" long. 2 Wires.	1 PC	*764358
6GA 1/4" Tin Plated Copper Lug	2 PCS	662201
6GA 1/2" Tin Plated Copper Lug	2 PCS	662204



*765550 3-Position Rotary Switch Set

Circuit Breakers

Battery Disconnect/Circuit Breakers (2-in-1)

These 2-in-1 Circuit Breaker/Disconnect Switches are designed with durable thermal housings that offer reliable circuit protection, even in harsh environments. Engineered to meet rigorous IP67 standards, they operate smoothly under demanding conditions, making them ideal for a wide range of automotive and electrical systems. With a maximum voltage rating of 48VDC, they ensure dependable performance across various applications. User-friendly design allows for quick disconnection and reset, providing added convenience for both automotive enthusiasts and professionals working on cars, motorcycles, and marine equipment. **Compliant to SAE J553, J1171. Ignition Protected.**



Manual Reset (Type 3), Surface & Panel Mount

Amperage	Stud Size	Part#
50A	1/4"	*566510
60A	1/4"	*566511



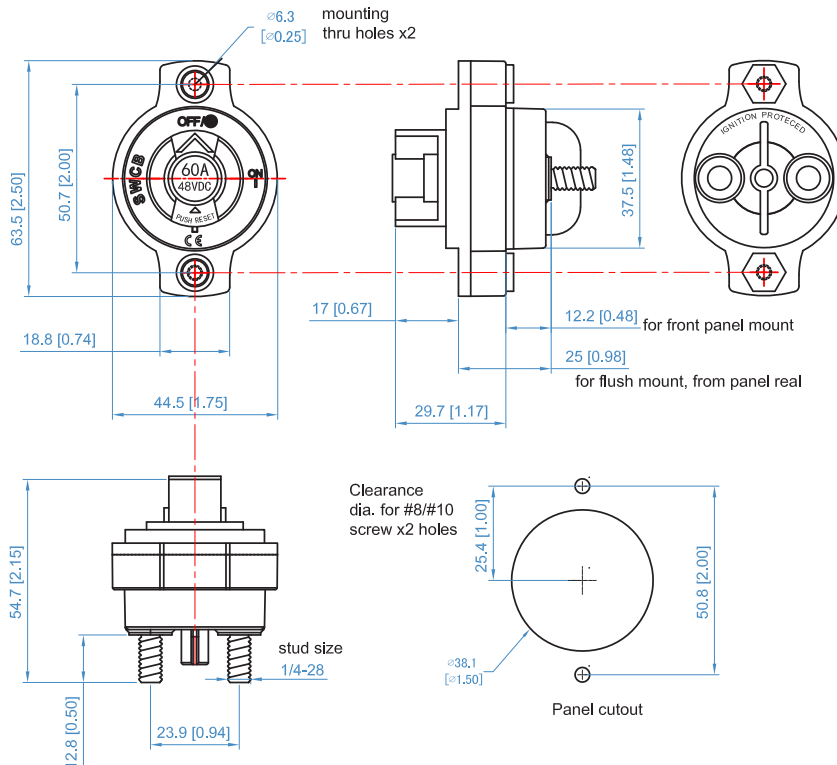
*566510



*566511

10-60A (Operating Time)

Rating	Blow Time
1X	>1800s
1.35X	<1200s
2X	10-80s
4X	1-6s
6X	0.35-2s
8X	0.18-1.4s



Circuit Breakers

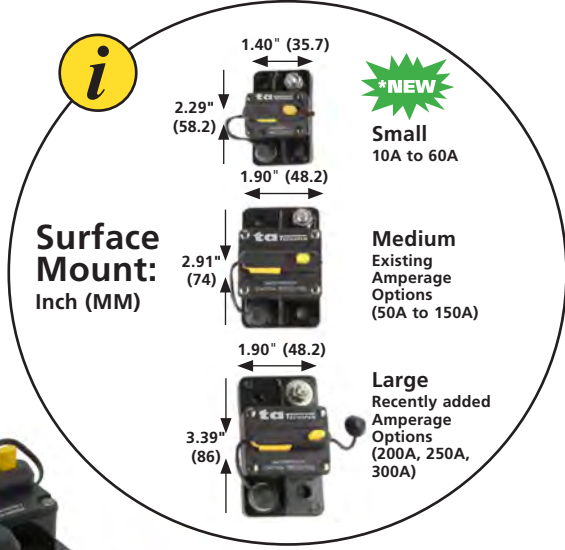
Additions to our Circuit Breaker Offering

These Circuit Breakers now come in 3 sizes



***NEW**

***NEW**



In addition to the Offset stud/terminal placement, these Circuit Breakers are now available with stud/terminal placement on the same side. The same side, also known as Parallel placement, is ideal for applications where space is limited for an Offset installation. See page 34 for part number listing.



We've expanded offering of our Auto Reset (Type 1), Surface Mount. Now available in 50A to 200A



Auto Reset (Type 1), Surface Mount.

Circuit Breakers

Low Amperage Circuit Breakers

Typically used in auxiliary and accessory circuits for Trucks, Buses, RVs and Marine applications (Maximum 32VDC). Other applications may include battery charger systems as well as DC audio systems. Rated at **IP67**, they also contain stud insulators to protect from dust, dirt and moisture. Housings are manufactured with Thermoset plastic (UL rated 94VO). Manual Reset Circuit Breakers feature a unique and simple reset mechanism that also provides an easy indication of an open circuit... the lever becomes visible. **Compliant to SAE J553, J1171, J1428, J1625. Ignition Protected.**

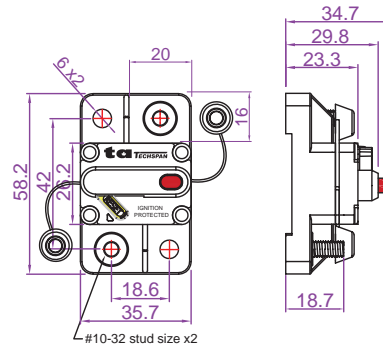


Manual Reset (Type 3), Surface Mount – Offset Studs

Amperage	Stud Size	Part#
10A	#10-32	*566513
15A	#10-32	*566514
20A	#10-32	*566515
25A	#10-32	*566516
30A	#10-32	*566517
40A	#10-32	*566518
50A	#10-32	*566519
60A	#10-32	*566520



Manual Reset Circuit Breakers feature a unique and simple reset mechanism that also provides an easy indication of an open circuit... the lever becomes visible.



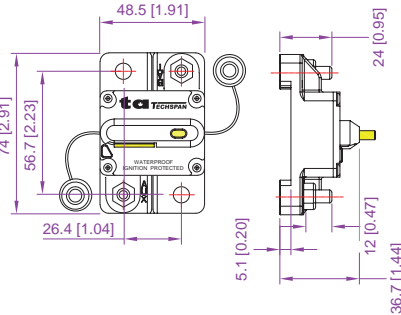
Low Amperage Circuit Breakers

Circuit Breakers

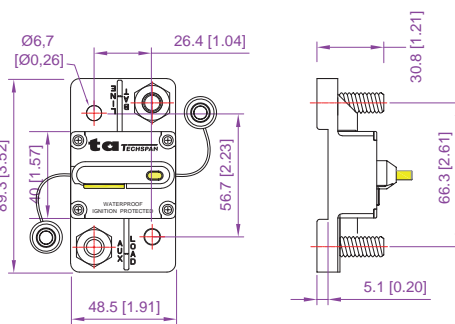
High Amperage Circuit Breakers

Typically used in auxiliary and accessory circuits for Trucks, Buses, RVs and Marine applications (Maximum 32VDC). Other applications may include battery charger systems as well as DC audio systems. Rated at **IP67**, they also contain stud insulators to protect from dust, dirt and moisture. Housings are manufactured with Thermoset plastic (UL rated 94V0). Manual Reset Circuit Breakers feature a unique and simple reset mechanism that also provides an easy indication of an open circuit... the lever becomes visible. **Compliant to SAE J553 (50A to 200A), J1171, J1428, J1625.** Ignition Protected.

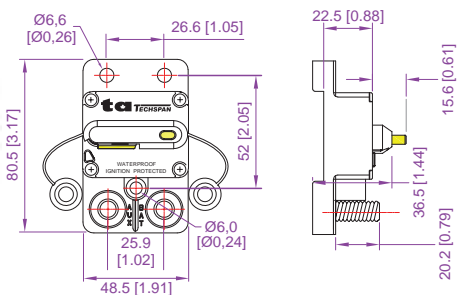
Temperature Ratings: Operating: -32°C (-25°F) to 82°C (180°F)
 Storage: -34°C (-30°F) to 149°C (300°F)



50A to 150A, Manual Reset, Offset Studs



200A to 300A, Manual Reset, Offset Studs



Barrier between the 2 stud terminals prevents short circuiting

Parallel terminal placement

50A to 200A, Manual Reset, Parallel Studs (Same Side)

Manual Reset (Type 3), Surface Mount – Offset Studs

Amperage	Stud Size	1 PC/PK	10 PCS/PK
50A	1/4"	566018	566018B
60A	1/4"	566019	566019B
70A	1/4"	566024	566024B
80A	1/4"	566025	566025B
100A	1/4"	566026	566026B
120A	1/4"	566027	566027B
135A	1/4"	566028	566028B
150A	1/4"	566029	566029B

200A	3/8"	566017	566017B
250A	3/8"	*566012	*566012B
300A	3/8"	*566037	*566037B

*NEW
*NEW



Manual Reset (Type 3), Surface Mount – Parallel Studs (Same Side)

Amperage	Stud Size	Part#
50A	5/16"	*566489
60A	5/16"	*566490
80A	5/16"	*566492
100A	5/16"	*566493
135A	5/16"	*566495
150A	5/16"	*566496
200A	5/16"	*566497

Circuit Breakers

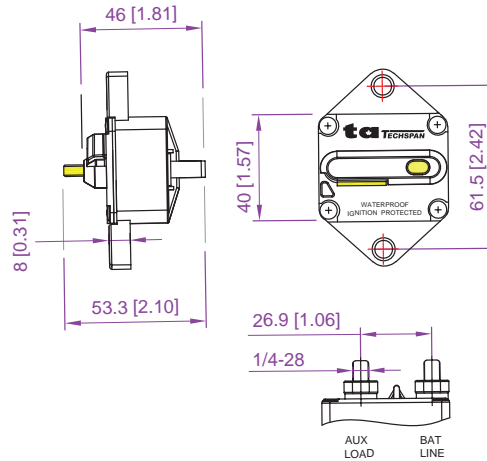
High Amperage Circuit Breakers

Typically used in auxiliary and accessory circuits for Trucks, Buses, RVs and Marine applications (Maximum 32VDC). Other applications may include battery charger systems as well as DC audio systems. Rated at **IP67**, they also contain stud insulators to protect from dust, dirt and moisture. Housings are manufactured with Thermoset plastic (UL rated 94V0). Manual Reset Circuit Breakers feature a unique and simple reset mechanism that also provides an easy indication of an open circuit... the lever becomes visible. **Compliant to SAE J553 (50A to 200A), J1171, J1428, J1625.** Ignition Protected.

Temperature Ratings: Operating: -32°C (-25°F) to 82°C (180°F)
Storage: -34°C (-30°F) to 149°C (300°F)

Manual Reset (Type 3), Panel Mount

Amperage	Stud Size	Part#
50A	1/4"	566283
60A	1/4"	566284
70A	1/4"	566285
80A	1/4"	566286
100A	1/4"	566287
120A	1/4"	566288
135A	1/4"	566289
150A	1/4"	566290
200A	3/8"	566291

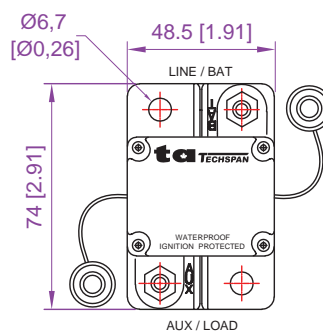


High Amperage Circuit Breakers/Manual Reset/Panel Mount

Auto Reset (Type 1), Surface Mount

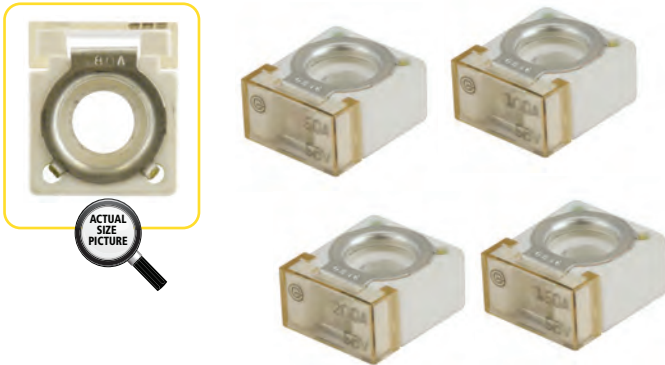
Amperage	Stud Size	Part#
50A	1/4"	566274
60A	1/4"	566275
70A	1/4"	566276
80A	1/4"	566277
100A	1/4"	566278
120A	1/4"	566279
135A	1/4"	566280
150A	1/4"	566281
200A	3/8"	*566282

***NEW**



High Amperage Circuit Breakers/Auto Reset/Surface Mount

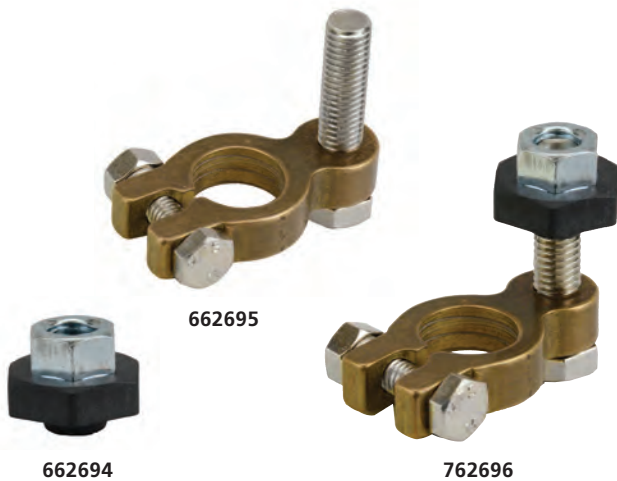
Circuit Protection



Battery Fuses

- 58 VDC
- White Housing
- Complies with: ISO 8820-6, DIN 72581-5, UL 248 (Special Purpose Fuses)
- Marine Rated (Complies with ABYC requirements)

Amperage	1 PC/PK	Amperage	1 PC/PK
50A	766569	200A	766577
75A	766571	250A	766579
100A	766573	300A	766580
125A	766574	400A	*766582 ^{+NEW}
150A	766575		



Battery Fuse Accessories

Battery Terminals

^{+NEW}

Description	1 PC/PK	10 PCS/PK
Universal Battery Terminal (Brass) with extra long stud	*662695	762695
Insulated Nut (Steel Nut, Polymer Insulation)	*662694	762694

Battery Terminal & Insulated Nut Set

762696 Consists of 1 x **662695** Battery Terminal and 1 x **662694** Insulated Nut. Battery Fuse not included

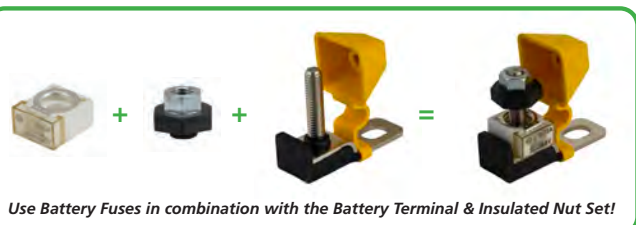


^{+NEW}



Battery Fuse Holder & Insulated Nut Set

***766269** Stud Terminal Fuse Holder with an insulated cover to help prevent short circuits. Compact design allows for a variety of uses. Maximum Voltage and Current Rating: 58VDC, 300A. Comes complete with the **662694** Insulated Nut. Battery Fuse not included



Circuit Protection

Fuse Link, Female Terminations (Regular)

• 32VDC

Amperage	Colour	1 PC/PK	25 PCS/PK
20A	Light Blue	766170	766170Q
25A	White	*766180	*766180Q
30A	Pink	766171	766171Q
40A	Green	766172	766172Q
50A	Red	766173	766173Q
60A	Yellow	766174	766174Q

*NEW



20A



25A



30A



40A



50A



60A

Fuse Blocks

Fuse Blocks with Ground Bus Bar



Simplify the Power Distribution of Your Connections

These Fuse Blocks offer a streamlined, cost-effective solution for consolidated circuit protection. Designed to accommodate Standard Blade Fuses, they ensure safe and efficient power distribution across your application. *(Fuses sold separately.)*

Key Features:

- Snap-on insulating clear cover with label recesses and spare fuse storage
- Screw-type terminals for secure and reliable connections
- Integrated negative bus bar for improved wiring organization
- Includes a sheet of pre-printed circuit identification labels

Benefits:

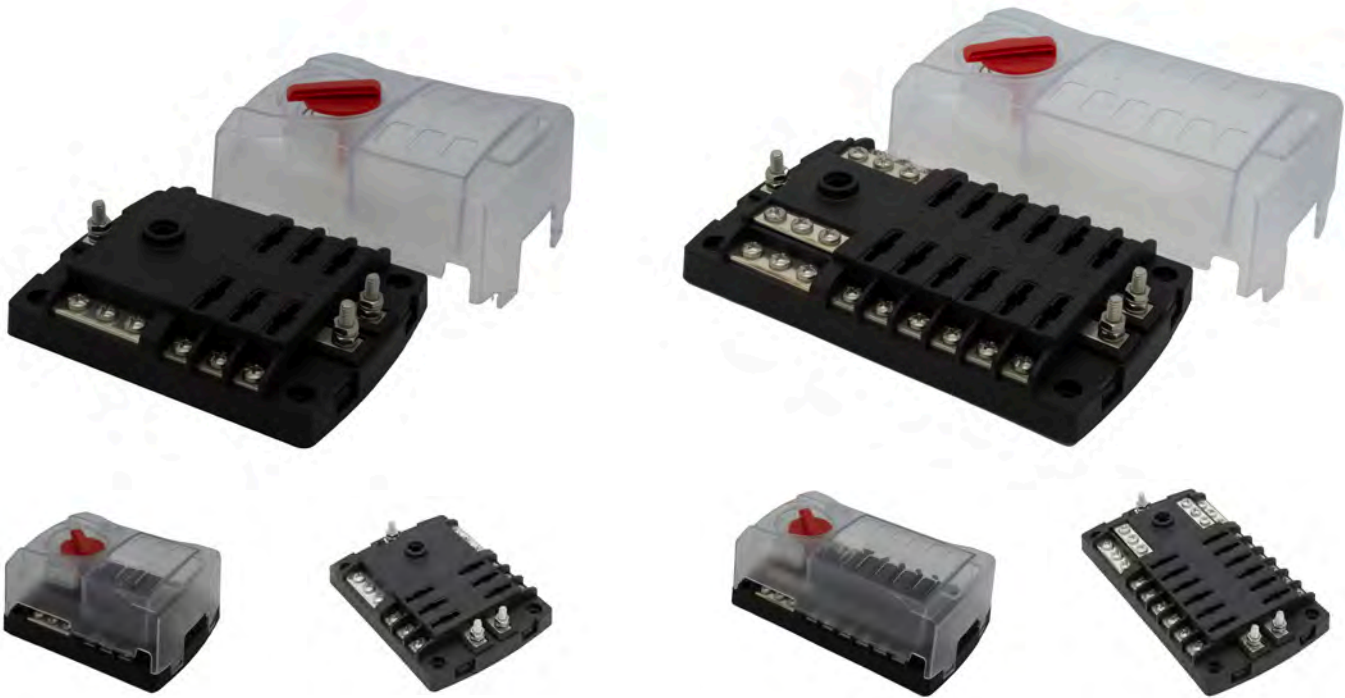
- Centralizes wiring for easy access and maintenance
- Provides enhanced protection with a durable insulating cover

Specifications:

- Maximum Voltage: 32VDC
- 4mm Stud Terminals (Input)
 - Recommended Input Wire Sizes: 6-4GA
- 5mm Screw Terminals (Output)
 - Recommended Output Wire Sizes: 16-12GA
- 4 x 5mm Diameter mounting holes
- Rugged Thermoplastic polymer housing & polycarbonate cover
- Maximum amperage per circuit: 30A
- Maximum amperage per block: 100A

Available in 6 or 12 positions. Clear cover included.

# of Positions	Dimensions (L x W x H)	Part #
6	4.92" x 3.74" x 2.32"	*766099
12	6.46" x 3.74" x 2.32"	*766098



*766099

*766098

Terminal Blocks

Terminal Blocks (Screw-Type) with Common "Hot-Feed" Connection

762133 Solid brass buss bar with 1/4" stud power terminals. #8-32 screws for 10 circuit connections. #10 mounting holes. Maximum 36VDC (150A).


***562133 Tin-Plated Solid Copper buss bar** with 1/4" stud power terminals. #8-32 screws for 10 circuit connections. #10 mounting holes. Maximum 48VDC (150A) & 300VAC (130A).



762133



*562133

762133	SPECIFICATIONS	 *562133
36VDC	Maximum Voltage	48VDC, 300VAC
10 x #8-32	Screw Terminals	10 x #8-32
150A	Continuous Current Rating	150A (VDC), 130A (VAC)
2 x 1/4"	Stud Terminals	2 x 1/4"
Brass	Material (Busbar)	Tin-Plated Copper
Thermoplastic (Glass Reinforced)	Material (Base)	Thermoplastic (Glass Reinforced)
	DIMENSIONS	
5.75" (146mm)	Width	5.87" (149mm)
1.25" (31.75mm)	Height	1.14" (29mm)
5.19" (131.80mm)	Mounting (Centre to Centre)	5.25" (133.35mm)
2 x #10	Mounting Holes	2 x #10

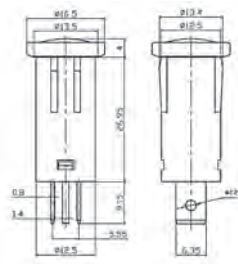
Indicator/Pilot Lights



*764378



*764379



*764384



*764385

Nylon Housing



Approximate Dimensions: 1.2" (30.54mm) Long x 0.65" (16.52mm) Bezel Diameter Requires a 1/2" Mounting Hole. Connection Type: 1/4" Quick Disconnect. **Snap-In Type**

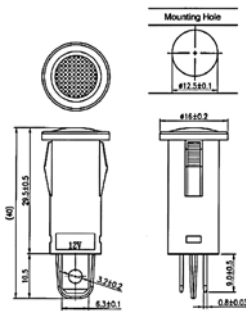
Colour	Voltage	Maximum Amperage	Overall Length	Part #
Amber	12VDC, 110-220VAC	16A	1.565" (39.75mm)	*764378
Blue	12VDC, 110-220VAC	16A	1.565" (39.75mm)	*764379
Green	12VDC, 110-220VAC	16A	1.565" (39.75mm)	*764384
Red	12VDC, 110-220VAC	16A	1.565" (39.75mm)	*764385



*764359



*764363



Polycarbonate Housing



Approximate Dimensions: 1.159" (29.44mm) Long x 0.625" (15.33mm) Bezel Diameter Requires a 1/2" Mounting Hole. Connection Type: 1/4" Quick Disconnect. **Snap-In Type**

Colour	Voltage	Maximum Amperage	Overall Length	Part #
Amber	12-24VDC, 110-220VAC	35mA	1.582" (40.18mm)	*764359
Blue	12-24VDC, 110-220VAC	35mA	1.582" (40.18mm)	*764363
Green	12-24VDC, 110-220VAC	35mA	1.582" (40.18mm)	*764364
Red	12-24VDC, 110-220VAC	35mA	1.582" (40.18mm)	*764365



*764364



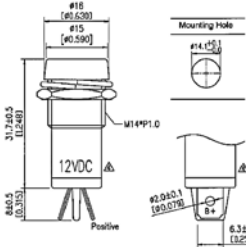
*764365



*764371



*764373



Aluminum Housing



Approximate Dimensions: 1.250" (30.66mm) Long x 0.625" (15.33mm) Bezel Diameter Requires a 0.5591" Mounting Hole (Fits Panels 5.1mm to 7.6mm thick). Connection Type: 1/4" Quick Disconnect

Colour	Voltage	Maximum Amperage	Overall Length	Part #
Amber	12-24VDC	15mA	1.570" (40mm)	*764371
Blue	12-24VDC	15mA	1.570" (40mm)	*764373
Green	12-24VDC	15mA	1.570" (40mm)	*764375
Red	12-24VDC	15mA	1.570" (40mm)	*764376



*764375



*764376

Merchandising/Storing

Plastic 'Make-It-Yourself' Storage Trays

Clear plastic compartment empty storage trays are a handy way to make up your own assortments. Available in 6, 12, 13, 18 and adjustable compartments. All these trays have dimensions of 11"W x 6"L x 1"H.

Contact Techspan if you require other configurations.

# of Compartments	Part#
6 Compartments	763006
12 Compartments	763019
13 Compartments	763001
18 Compartments	763012
3 to 18 Compartments (Adjustable)	763024



763006 6 compartments



763019 12 compartments



763001 13 compartments



763012 18 compartments



763024 3 to 18 compartments

Storage Rack (5-Level)

- Compact (11-3/4"D x 10-3/4"H) • Versatile
- Keyhole slots for optional wall mounting • Grey Enamel Steel • Stackable
- Fits 763001, 763006, 763012, 763019 & 763024 Storage Trays, shown above

768181 5-Level, Grey Enamel Steel with Handle and Locking Hinge.



768181

Merchandising/Storing

Metal 'Make-It-Yourself' Storage Trays

Grey heavy-gauge metal storage trays (Empty) with carrying handle. Contact Techspan if you require other configurations.

18"W x 12"L x 3"H

# of Compartments	Part#
21	*763025 <i>*NEW</i>
24	763007



763007 Grey Metal Storage Tray
(24 compartments)



*763025 Grey Metal Storage Tray
(21 compartments)

13-3/8"W x 9-1/4"L x 2"H

# of Compartments	Part#
21	763004



763004 Grey Metal Storage Tray
(21 compartments)



NEW Products Available Since Our Last Printing of...



2024WCE



2013LSE



202507ML

Although many of the products in this booklet are in stock as of publication, there are items that are in transit to us. For these items, look out for this symbol.



Looking for Deutsch Connectors? Ask for our **NEW** Deutsch Connectors' Mini Catalogue Containing an Expanded Offering of Connectors



202601DC



New Edition Coming Soon!

Techspan Lighting & Safety Equipment Catalogue
Part# 2013LSE



Techspan Circuit Protection Products' Mini Catalogue
Part# 2022.07CP



Techspan Switch Products' Mini Catalogue
Part# 2019.12SW



Techspan Wire, Cable & Electrical Accessories Catalogue
Part# 2024WCE



New Edition Coming Soon!

Techspan Wire Management Products
Part# 2020WMP



New Edition Coming Soon!

Techspan Control & Automation Products
Part# 2018CAP



ONLINE ONLY

Bayco Professional Lighting & Cord Solutions
Part# TB2014



Littelfuse/Cole Hersee Catalogue
Part# CVP150



Techspan/Pollak Heavy-Duty Electrical Controls' Products
Part# MC-1217

ta Since 1989 **TECHSPAN** Techspan.ca



Eastern/Central Canada
2810 Coventry Road
Oakville, Ontario
L6H 6R1

Tel: 905.820.6150 or 1.800.363.1588
Fax: 905.820.6142
Email: sales@techspan.ca

Western Canada
7590 Conrad Street
Burnaby, BC
V5A 2H7

Tel: 604.420.0425
Fax: 604.420.3149
Email: westsales@techspan.ca

