



PRODUCT BULLETIN

Indicator/Pilot Lights

Our high-performance 12 VDC indicator/pilot lights are designed to handle up to 16A, making them a reliable choice for various electrical applications. Engineered for easy installation (1/4" Quick Disconnect), they fit seamlessly into a standard 1/2" mounting hole, ensuring a secure and stable connection. 2-1/4" length



*764378



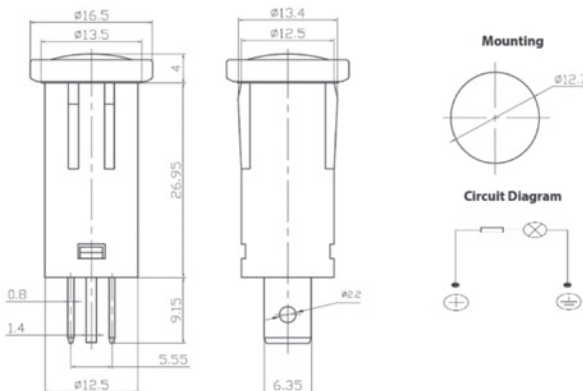
*764379



*764384






*764385



Indicator/Pilot Lights

- 12 VDC / 16A
- 1/4" Quick Disconnect
- Fits standard 1/2" mounting hole
- 2-1/4" Length

Nylon Housing

Colour	Part #
 Amber	*764378
 Blue	*764379
 Green	*764384
 Red	*764385